

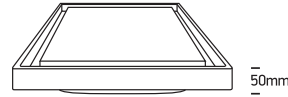
INSTALLATION MANUAL

67384A

ecolight

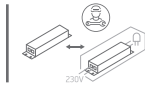


340x340mm

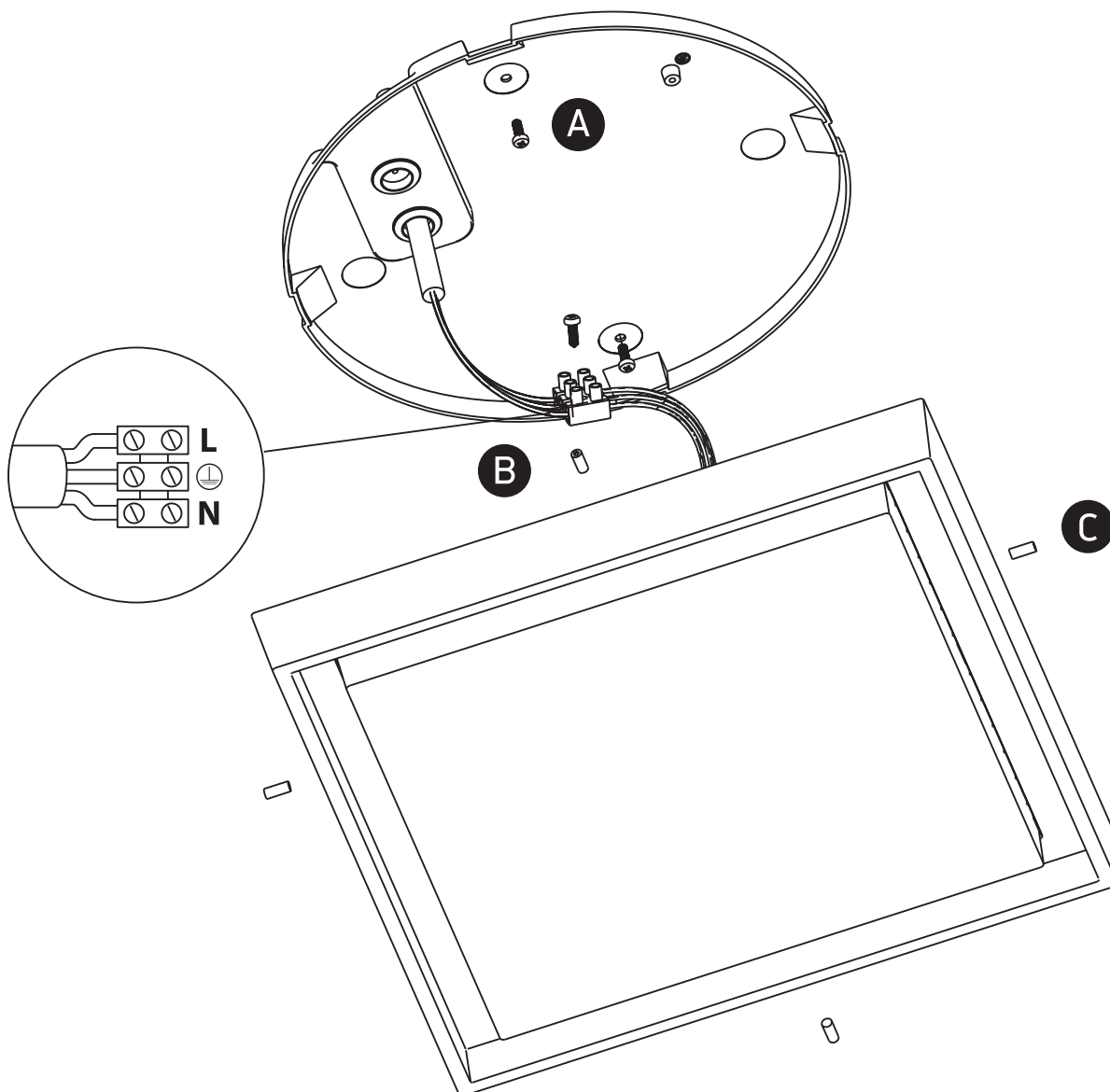


one
LIGHT

100-240V | SMD 3014 | 30W | IP54 | Die cast
Complete with 700mA driver.



80
CRI



Warnings:

1. Make sure that the product is installed properly before connecting to electricity.
2. Do not cover the fitting.
3. Maintenance and installation should only be carried out by a professional electrician.