

# INSTALLATION MANUAL

## 7046, 7047

**ecolight**

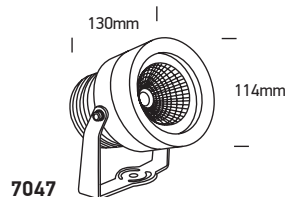
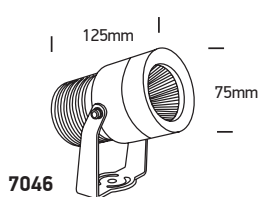
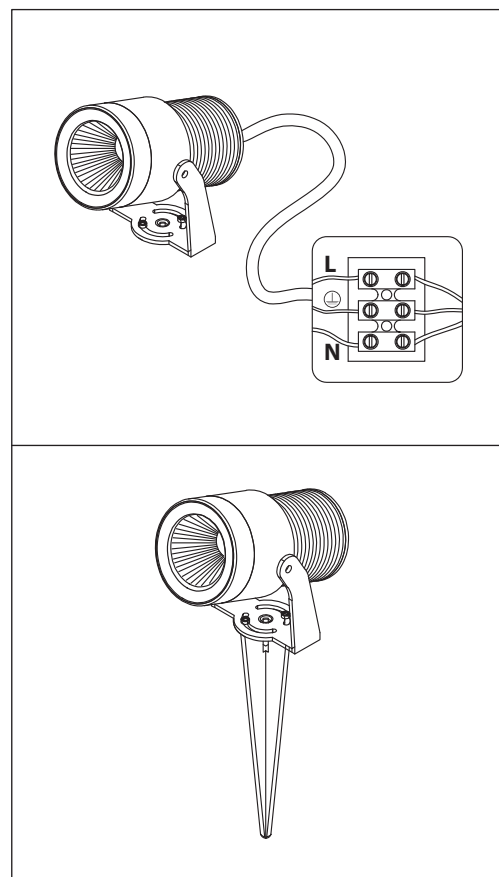
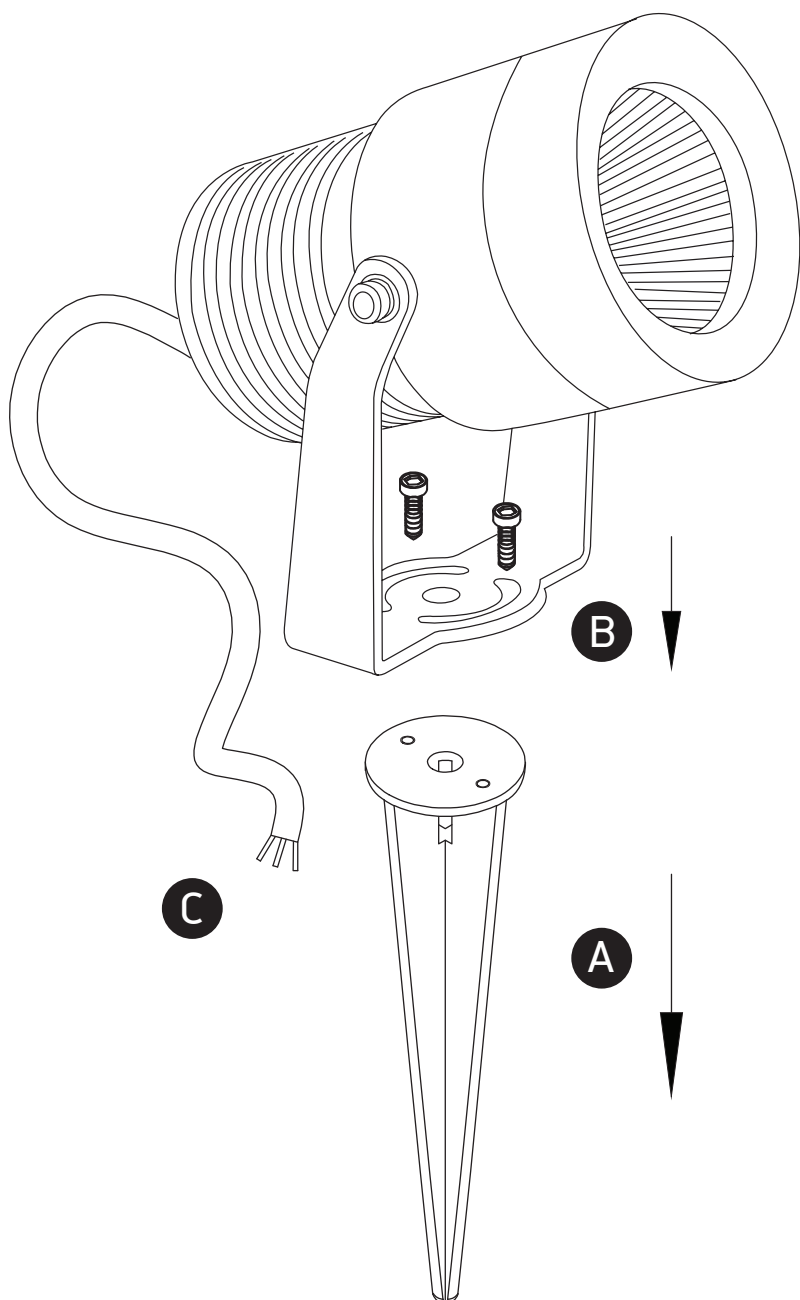
**80  
CRI**

**150cm**  
**7046**

230V | 10W | IP65 | Aluminium | Adjustable  
 Complete with 250mA driver. Supplied with spike.

**7047**

230V | 20W | IP65 | Aluminium | Adjustable  
 Complete with 500mA driver. Supplied with spike.


**one**  
 LIGHT

**Warnings:**

1. Make sure that the product is installed properly before connecting to electricity.
2. Do not cover the fitting.
3. Maintenance and installation should only be carried out by a professional electrician.