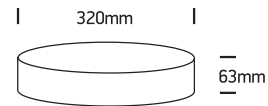
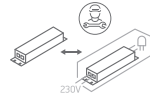
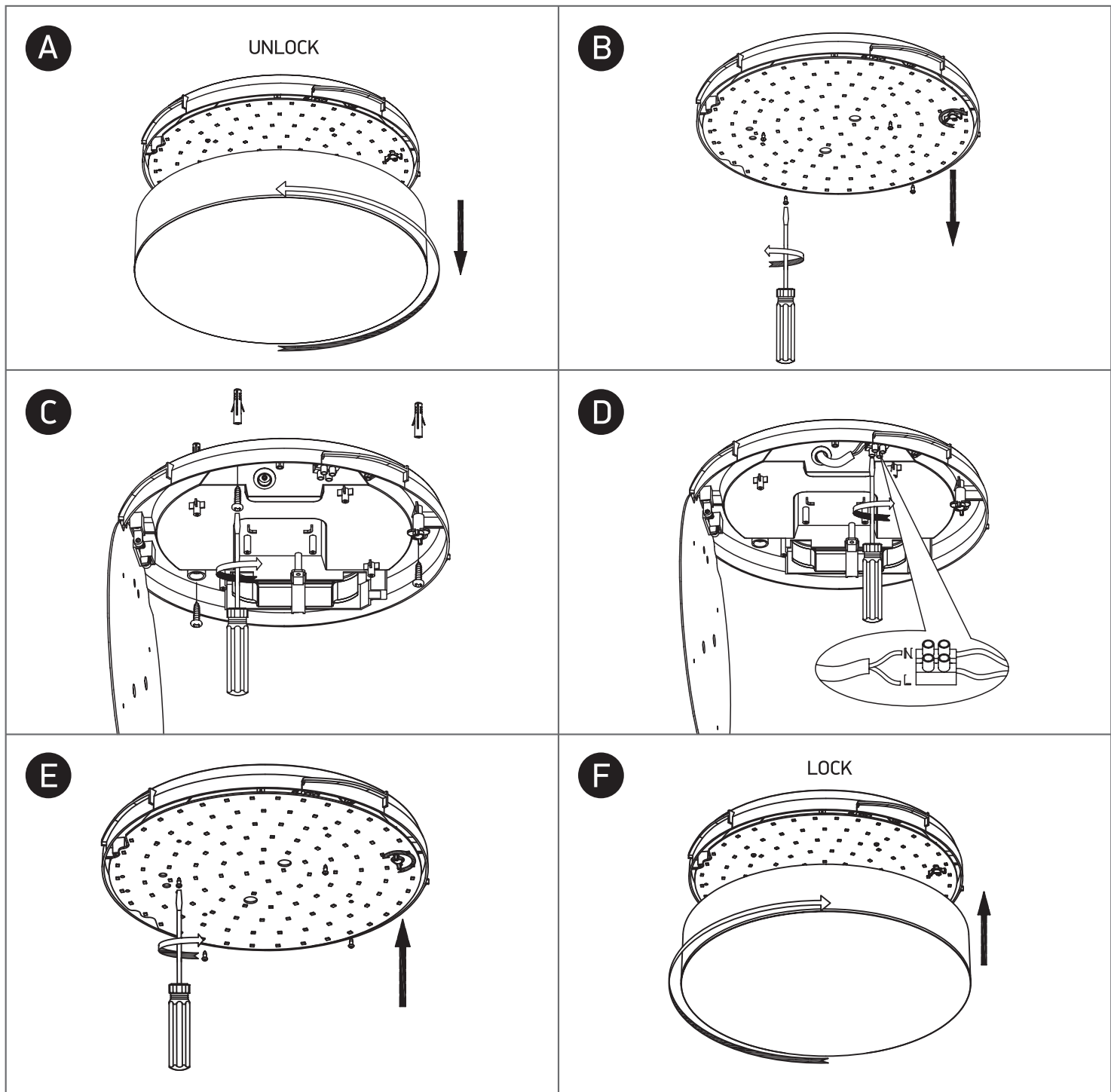


INSTALLATION MANUAL

67390

ecolight

one
LIGHT

230V | SMD 2835 | 21W | IP65 | ABS + PC
Complete with 500mA driver.


80
CRI


Warnings:

1. Make sure that the product is installed properly before connecting to electricity.
2. Do not cover the fitting.
3. Maintenance and installation should only be carried out by a professional electrician.