

# INSTALLATION MANUAL

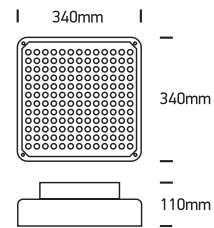
7058

**ecolight**

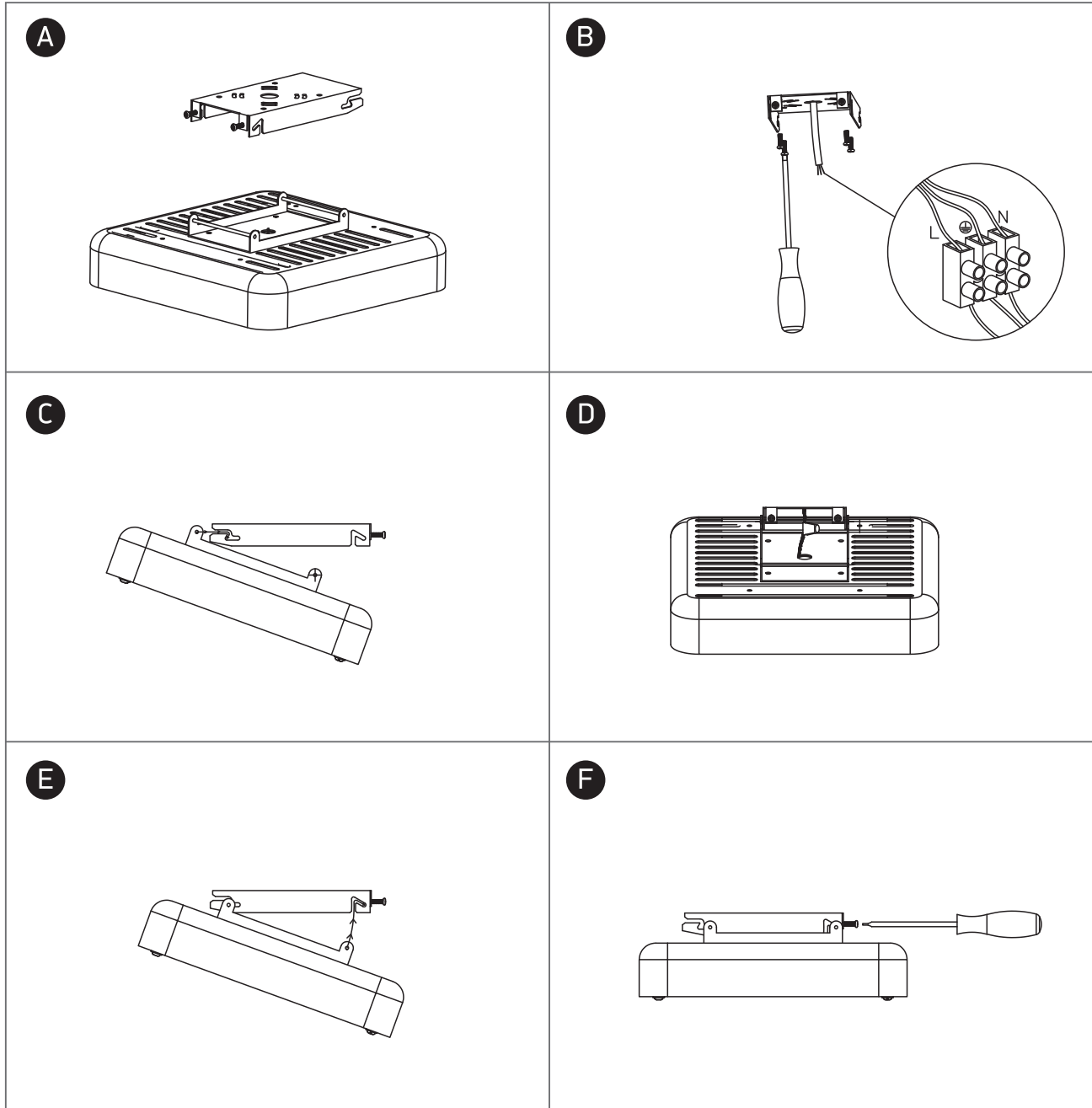


100-240V | SMD 3030 | 120W | IP65 | Aluminium

Ideal for petrol stations,  
showrooms & warehouses.  
Complete with driver.



**one**  
LIGHT



## Warnings:

1. Make sure that the product is installed properly before connecting to electricity.
2. Do not cover the fitting.
3. Maintenance and installation should only be carried out by a professional electrician.