

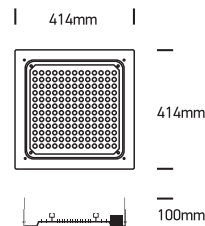
INSTALLATION MANUAL

7058R

ecolight

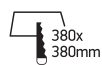


Ra>70

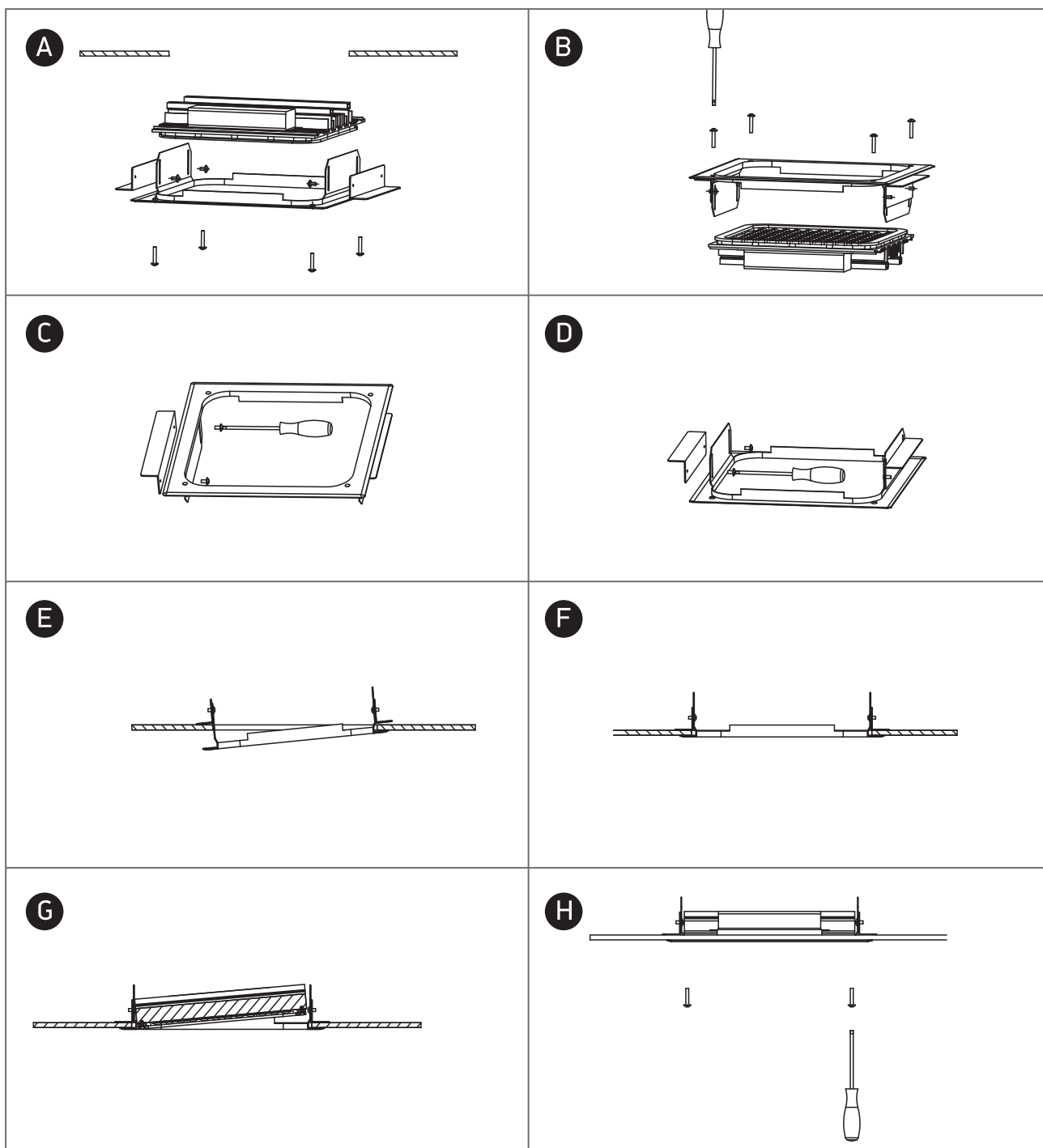


100-240V | SMD 3030 | 120W | IP65 | Aluminium

Ideal for petrol stations,
showrooms & warehouses.
Complete with driver.



one
LIGHT



Warnings:

1. Make sure that the product is installed properly before connecting to electricity.
2. Do not cover the fitting.
3. Maintenance and installation should only be carried out by a professional electrician.