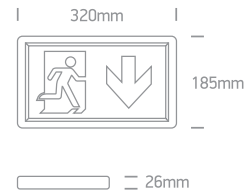


# INSTALLATION MANUAL

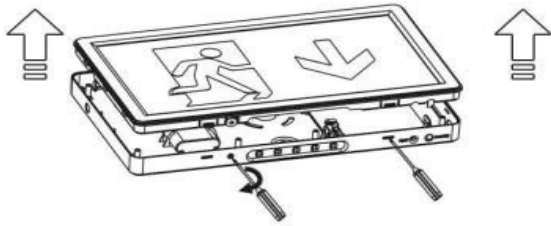
89408



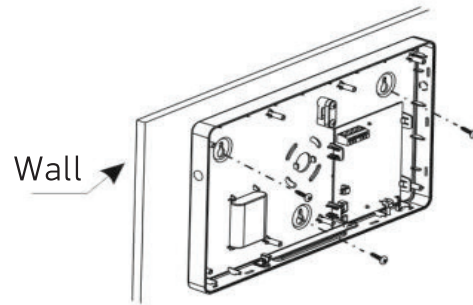
**one**  
LIGHT

230V | LED | 3W | IP20 | Emergency 3Hrs Maintained | Auto monthly test | PC  
Supplied with LifePO4 3,2V 1,5Ah battery. Supplied with 2 stickers.

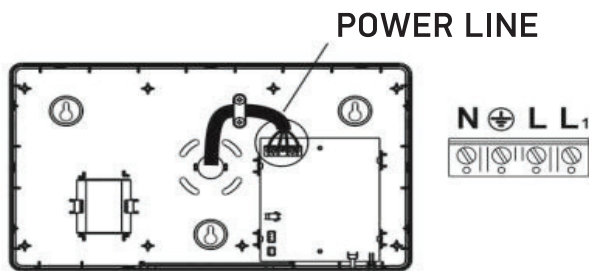
## A Remove the cover



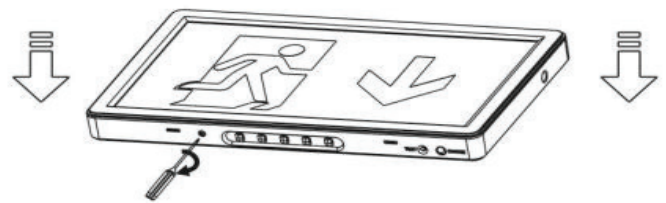
## B Install it on the wall by using fixing screws




## C Connect it to the mains supply 230V AC.



## D Install the cover and fix the screws



Remove the cover of the emergency.  
Install it on the wall by using fixing screws.  
Connect it to the mains supply 230V AC.   
Check that the green LED indicator is switched on.  
Allow a short period of 15 hours charging of the batteries and then isolate the mains supply to the fitting in order to check the correct operation of the fitting in emergency mode. After 36 hours on continuous charging (and only at a safe appropriate time) a mains failure should be simulated to ensure that the fitting illuminaire for its specified time. The fitting will be fully charged after 24hours.

### THE USE OF SWITCH ON THE PCB:

In AC input:  
Press for 1 second: Timing Restart.  
Press for 3 seconds: LEDs on, Auto test for 5 minutes.



### OPERATION OF LED INDICATOR

Normal operation: The green LED indicator is switched on  
Battery failure: The red LED indicator flashes once every 3 seconds.  
Lighting source failure: The red LED indicator flashes twice every 3 seconds.  
Less than the rated duration time: The red LED indicator flashes fast, three times every 3 seconds.

### AUTO MONTHLY TEST

This product has a built-in automatic test circuit that will test the fitting every 30 days for 10 minutes and every 12 months for 3 hours.  
When the self-test begins, the light source will turn on. Also, it stops the battery charging, whilst the green LED indicator is switched off.  
When the light source works normally, the LED green Indicator will be on after the self-test is finished; when the light source is not working properly, the LED Indicator will turn red and flash twice every three seconds until the problem is solved.  
Low battery voltage: It flashes three times and then stops for 3 seconds. It will repeat this process until the batteries are replaced.  
All other failures: Flashes once then stops for 3 seconds. This will be repeated until the fault has been corrected.

### Warnings:

1. Make sure that the product is installed properly before connecting to electricity.
2. Do not cover the fitting.
3. Maintenance and installation should only be carried out by a professional electrician.