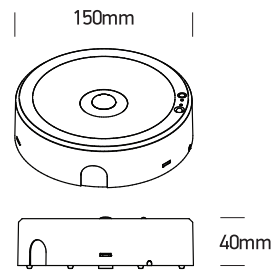
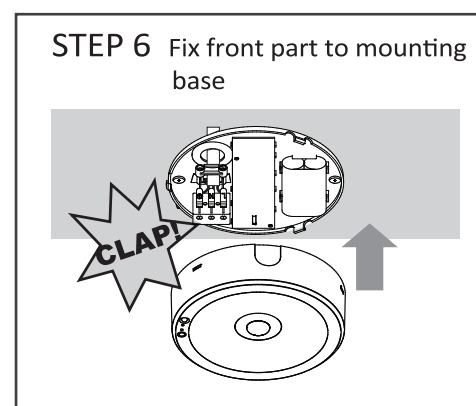
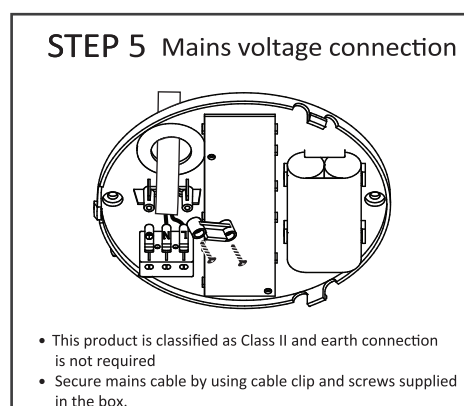
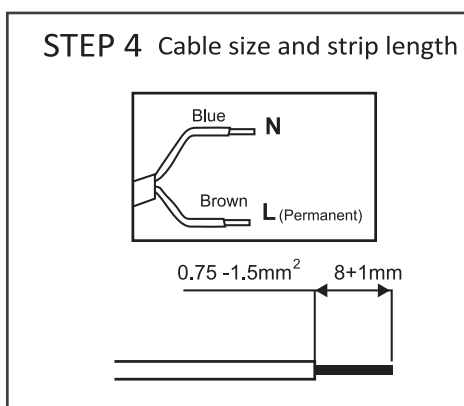
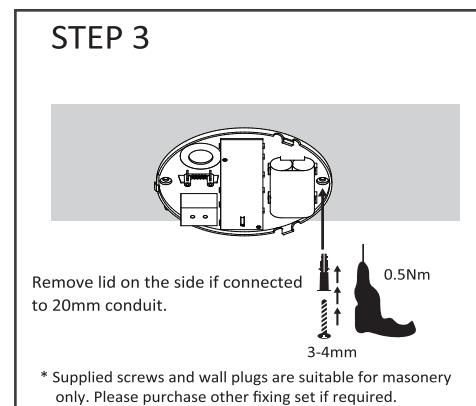
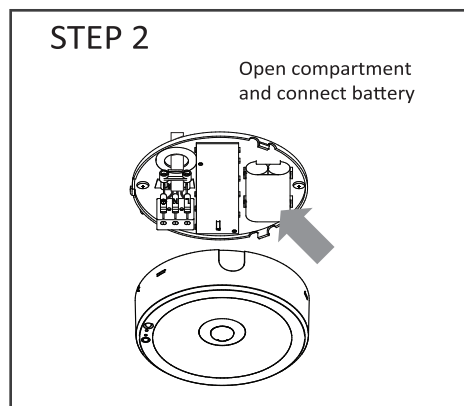
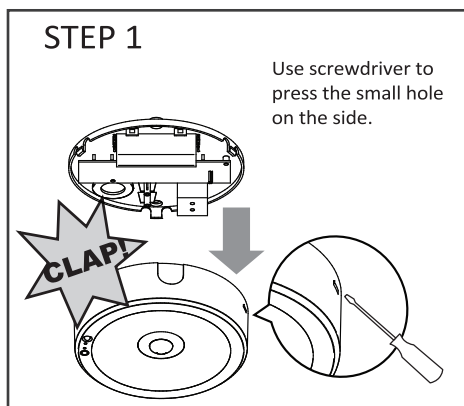


INSTALLATION MANUAL

89412



230V | 3W | IP20 | 3 Hours Non-Maintained | Plastic | Supplied with Li-ion 3,6V 5000mAh battery



Warning: Never put this luminaire inside its box with the battery connected.

This is a self-test luminaire.

Functional test is carried out automatically once a week and runs for 30 seconds. Full duration test is carried out automatically every 52 weeks. First full duration test is carried out automatically within the first 4 weeks after the luminaire being connected to mains voltage.

This product is configured as non-maintained.

In case of mains supply failure, the battery will automatically energise the emergency light for a minimum of 3 hours period. After 3hrs 5m the luminaire will enter into stand - by mode.

Battery must be re-charged again no later than 6 months after mains supply's failure.

First battery charge takes up to 16 hrs.

Battery re-charge takes up to 8hrs. Note that full cycle (discharge and recharge) takes up to 12 hours.

“LED indicator status” coding

GREEN LED	RED LED	G	R	STATUS	ACTION REQUIRED
Solid ON	OFF	●	○	OK	-
Normal Flash	OFF	⊙	○	Charging	-
OFF	Solid ON	○	●	Battery disconnected / Duration test failure	Connect battery / Replace battery
Fast Flash	OFF	⊙	○	Functional/Duration test in progress	-
Normal Flash	Normal Flash	⊙	⊙	Battery Temperature	
OFF	Normal Flash	○	⊙	Light source fault	Replace Luminaire

⊙ Normal flash=1HZ (about once/second) ⊙ Fast flash=2HZ (about twice/second)

Warnings:

1. Make sure that the product is installed properly before connecting to electricity.
2. Do not cover the fitting.
3. Maintenance and installation should only be carried out by a professional electrician.