

# Specification

Prepared	Checked	Approved	Accepted	Confirmed	Approved

<b>CE</b>	RoHS	<b>2835</b> SMD	<b>192</b> LEDS	<b>LED</b> Strip	DC <b>24V</b>	IP <b>33</b>	<b>5</b> years
-----------	------	--------------------	--------------------	---------------------	------------------	-----------------	-------------------

**Model:** RD0064TC/RD00C8TC/RD00K2TC

5000\*10, 320pcs 2835 SMD LED, bare board series with high luminous efficacy, 24Vdc, constant voltage, LED flex strip

5000\*10, 640pcs 2835 SMD LED, bare board series with high luminous efficacy, 24Vdc, constant voltage, LED flex strip

3000\*10, 576pcs 2835 SMD LED, bare board series with high luminous efficacy, 24Vdc, constant voltage, LED flex strip

**Figure:**



**Features:**

- ⊙ Luminous efficacy 160lm/W, high efficiency and saving energy;
- ⊙ Spectroscopic standard ERP, one BIN only, good color uniformity;
- ⊙ LED constant current driver, low attenuation;
- ⊙ Strong oxidation resistance by silver;
- ⊙ Silver-Tin pad design, easy soldering;
- ⊙ CE, ROHS, UL compliant

**Applications:**

- ⊙ Suitable for hotel, shopping mall, home, cabinet, show frame, etc. as main lighting, indirect lighting, cove lighting, contour lighting, decorative lighting, etc.

**Warranty:**

- ⊙ 5 years or 22,000 hours, whichever comes first.

### Optical and Electrical Parameters:

P/N	LED Color	CT (K) WL (nm)	CRI	SDCM	Beam Angle (°)	Luminous Flux (lm/m)	Luminous Efficacy (lm/W)	Working voltage (VDC)	Working current (mA)		Power (W/piece)	
									1m[3 9.37in]	5m[1 5in]	1m[ 39.37in]	5m[1 96.85in]
RD0064TC -A	White	4000	≥80	≤5	≥115	950	158	24	250	1100	6	26.5
RD00C8T C-A	White	4000	≥80	≤5	≥115	1890	158	24	500	2100	12	50.5
RD00K2T C-A	White	4000	≥80	≤5	≥115	2845	158	24	750	1950	18	46.5

### Others:

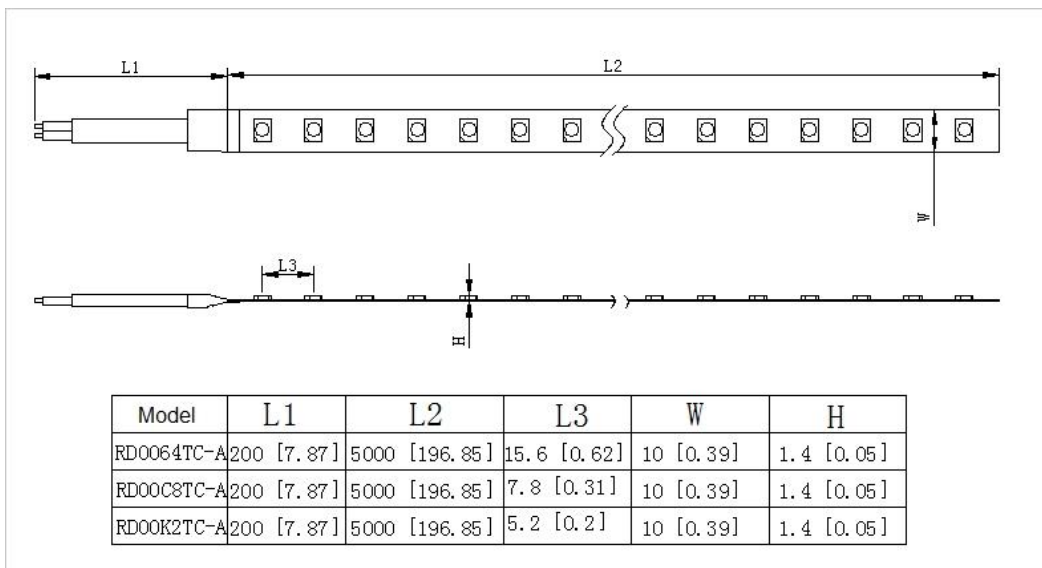
P/N	IP Grade	Operating Temp		Storage Temp		Standard length		Max. cascading length		LED Qty (pcs)	Weight	
		(°C)	(°F)	(°C)	(°F)	(m)	(inch)	(m)	(inch)		(g/piece)	(lb/piece)
RD0064TC-A	IP33	-25~	-13~	-25~	-13~	5	196.8	5	196.8	64	15	0.033
		+60	+140	+70	+158							
RD00C8TC-A	IP33	-25~	-13~	-25~	-13~	5	196.8	5	196.8	128	17	0.037
		+60	+140	+70	+158							
RD00K2TC-A	IP33	-25~	-13~	-25~	-13~	3	118.1	3	118.1	192	20	0.044
		+60	+140	+70	+158							

### Notes:

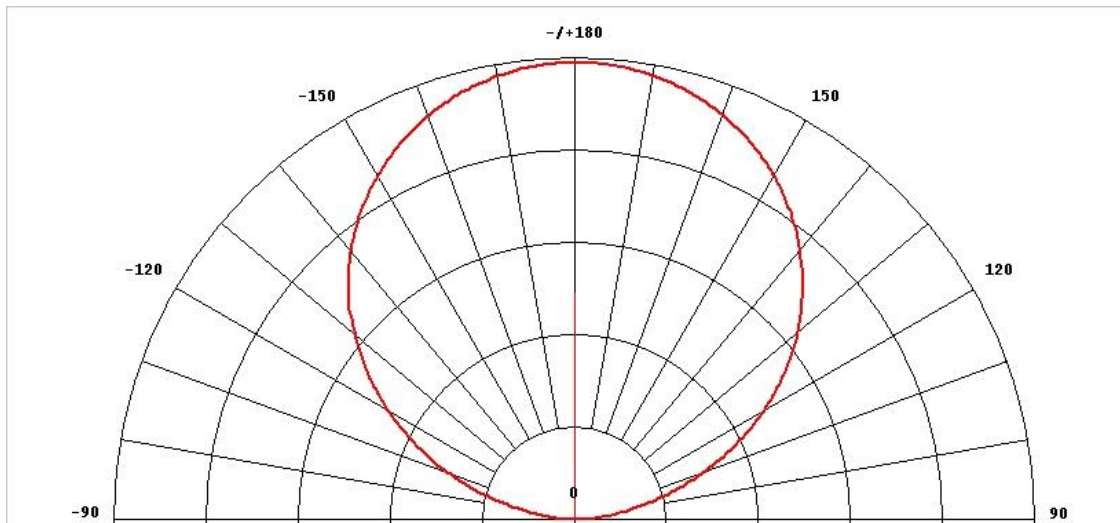
- (1) Testing environment temperature: 25±2°C [77±3.6°F];
- (2) The actual data of each single product may differ from above typical data which are subject to change without prior notice;
- (3) The above "--" means the parameters are not required temporarily

### Profile Drawings:

Unit: mm[inch]



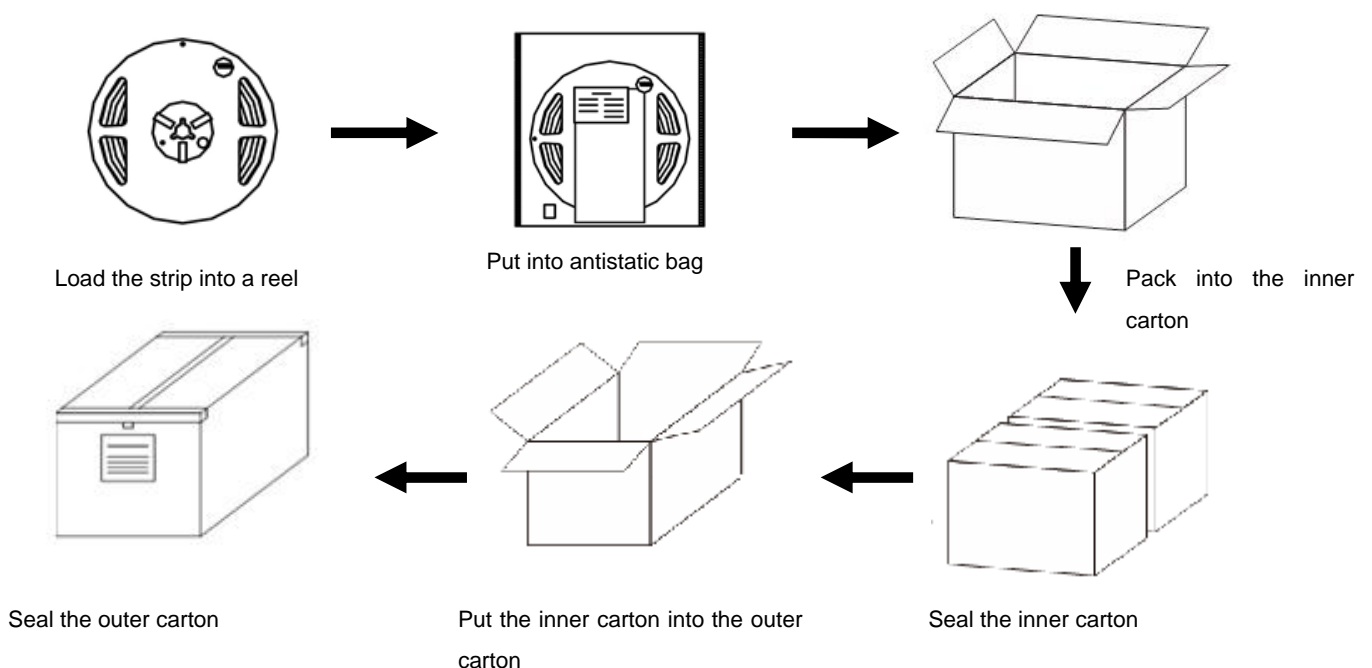
### Light Distribution:



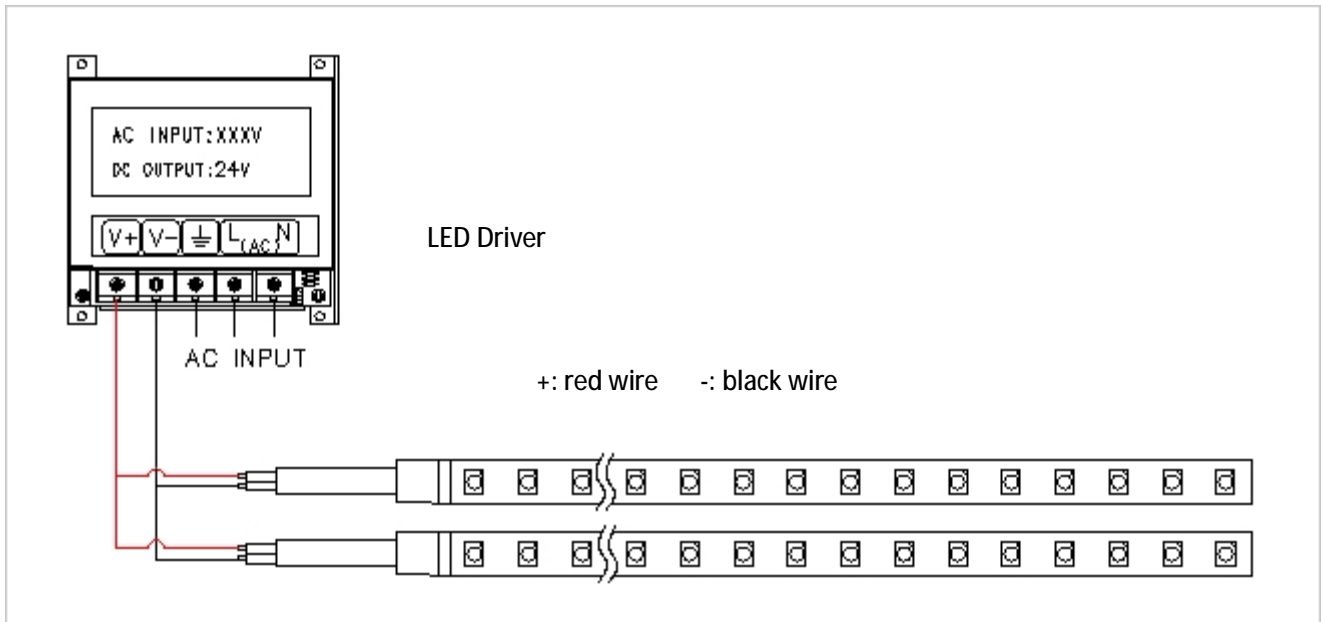
### Packaging Information:

P/N	Qty (PCS/bag)	Qty (bag/carton)	Total Qty (PCS)	Total weight		Outer carton					
				(Kg)	(lb)	length		width	Height		
						(mm)	(inch)	(mm)	(inch)	(mm)	(inch)
RD0064TC-A	5	75	150	3.8	8.36	398	15.66	256	10.07	238	9.37
RD00C8TC-A	5	75	150	4.1	9.02	398	15.66	256	10.07	238	9.37
RD00K2TC-A	3	60	120	4.0	8.8	398	15.66	256	10.07	238	9.37

### Packaging Diagram:



### Connection Instruction:



Note: Please connect the '+' and '-' of strips to those of driver output correctly.

### Parts & Tools:

#### Product Spare Parts



LED Strip

#### Self-provided Tools

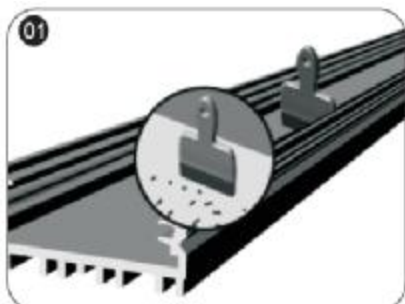


Electrical Drill & Drilling bit

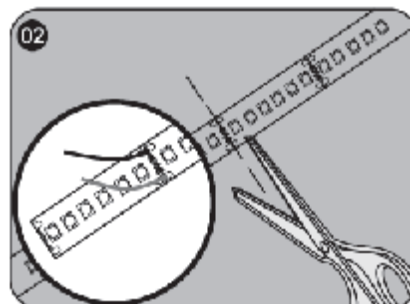


Scissors

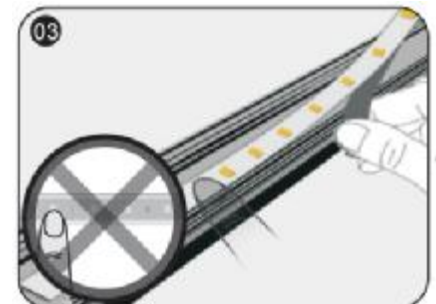
### Installation Steps & Cautions:



- Make sure the mounting surface is clean before installation;



- Calculate the needed length and cut off the extra length along cutting mark if necessary; if need to add wires, please weld them at the next location with printed mark

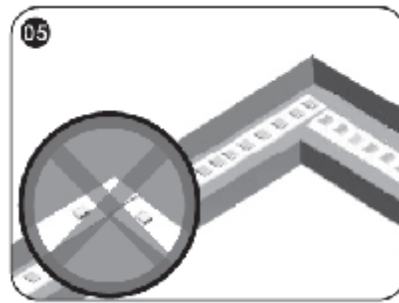


- While sticking strips, peel off the release paper of the tape step by step. Don't peel off all release paper at a time to avoid getting your strip in a mess.

△Notes: No pressing the bead!



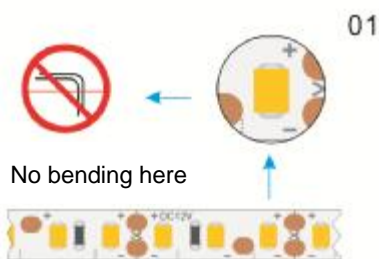
- Stick Mylar tape to isolate the cutting position from the bottom of profile inner slot to avoid short-circuit;



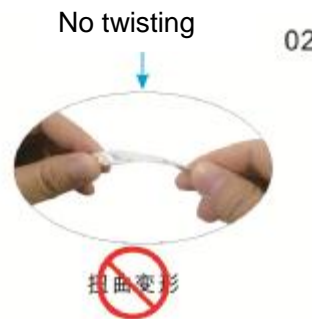
- The installation at the corner is shown as the above figure.
- △ Notes: No bending it into right angle; No twisting it to stick on the mounting surface.



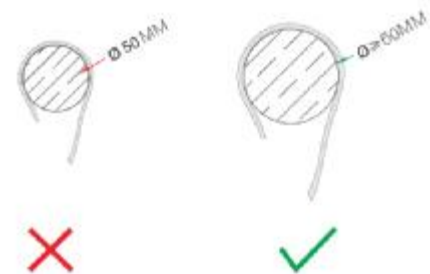
- Connect strip wires to the output terminal of power supply, and dispose with waterproof, insulation, short-circuit and anti-corrosion protection at both the wire joints and the cut section of your strip (if any).



- No bending the strip at the position of LED














- No twisting the strip



- No winding an object with a diameter <5cm.

## Optional Parts:

Category	Part Name	Figure	Specifications/Description	Article Number	Color	IP Grade	Notes
Snap-fit joints	Snap-fit joints		Snap-fit joints /23.5*4*2mm/QJ-KZ-10 (equipped with screws)	207-076	/	/	/
Terminal Connector	Connector		10mm width, single color, bare board LED strips/ cable-board connector /24.3*14.6*7.7mm	1CN-07-117	/	/	/
	Connector		10mm width, single color, bard board LED strips/board-board connector/19.55*14.6*7.7mm	1CN-07-123	/	/	/
	Connector		Connector /board-cable-board /10mm LED strips /16*12.4*4.5mm/QJ-SL-10BXB-2/	1CN-07-074	Red and Black	IP33	/
	Connector		Connector / cable-board /10mm LED strips /16*12.4*4.5mm/QJ-SL-10XB-2/L=15CM	1CN-07-073	Red and Black	IP33	/

Connector		Connector / board-board /10mm LED strips /20.6*12.4*4.5mm/QJ-SL-10BB-3/	1CN-07-078	/	/	/
Connector		Connector /cable-cable /25*6.7*6.65mm/1P/QJ-XC-JXD-D1	1CN-07-065	/	/	/
Connector		Connector / cable-cable /25*10.6*6.65mm/2P/QJ-XC-JXD-H2	1CN-07-066	/	/	/
Connector		Connector / cable-cable /25*12.8*6.65mm/1P/QJ-XC-JXD-T1/	1CN-07-067	/	/	/
Connector		Connector / cable-cable /28.6*16.6*6.65mm/2P/QJ-XC-JXD-T2/	1CN-07-068	/	/	/
Connector		Connector / cable-cable /22*9.5*6mm/2P/QJ-XC-JXD-D2/	1CN-07-069	/	/	/

### Troubleshooting:

Malfunctions	Possible Causes	Solutions
All LEDs don't work	1. The power supply did not connect to power grid.	Power on
	2. No electricity due to short-circuit of external power supply.	Remove the malfunction caused by short-circuit, power on again.
	3. The wires of strips connect to power supply output reversely.	Check the connecting and ensure the wires are connected correctly.
Part of LEDs don't work	1. Part of power supplies do not have output.	Check the power supply system.
	2. Part of wires of strips have malfunction.	
	3. Particular modules connected reversely.	Correct connection
Brightness of LEDs is weak or uneven	1. Overloaded power supply;	Replace it with higher power supply
	2. The power loss of power circuit is huge or the power loss of each circuit existing big difference.	Ensure working voltage of strips is within $\pm 5\%$ V of rated voltage. (1. Shorten the length of wires between the first strip and power supply or replaced with wires with bigger diameter; 2. Ensure the cascading qty of string is less than or equal to the allowed maximum cascading qty, and each strip cascading qty is well-balanced.)
	3. Exceed in qty of strips in series	Lessen the cascading qty for strip and ensure the qty for each electrical circuit is within the maximum cascading qty.
LEDs are blinking	1. Poor contacted in the joints.	Find out and tackle malfunction immediately.
	2. Failures in power supply.	Power on

## Declaration:

---

- ⊙ If the external flexible cable of light box is damaged, please replace it by its manufacturer or its service agent or qualified person to avoid a hazard.
- ⊙ The specific installation and cautions please refer to the user manual.
- ⊙ The given data in this specification is based on our standard product. There may be existed slight difference compared with actual products.
- ⊙ All Illustrations in this specification are for reference only.
- ⊙ This product is subject to change or modify without prior notice.
- ⊙ RISHANG OPTOELECTRONICS CO., LTD reserves the right of final explanation for this specification.

<End>

### **Shenzhen Rishang Optoelectronics Co., Ltd** (stock code: 002654)

Add: Block 2, Hongfa jiateli High-Tech. Park Tangtou Ave., Shiyan, Bao 'an Shenzhen

Tell: +86-755-33258896 E-mail: [info@ledlamps.com.cn](mailto:info@ledlamps.com.cn)

Website: [www.ledlamps.com.cn](http://www.ledlamps.com.cn)

Website



Official Account

