

# Specification

Prepared	Checked	Approved	Accepted	Confirmed	Approved

**UL**

**CE**

**RoHS**

**2835**  
SMD

**240**  
LEDS

**LED**  
**Strip**

**DC**  
**24V**

**IP**  
**20**

**3**  
Years

**Model:** RD00C0TC /RD00Q0TC /RDONQ0TC

3000\*10, 360pcs 2835 SMD LEDs, bare board, lighting series, constant voltage, dc24V, LED flex strip (LED A, use with profile)

3000\*10, 720pcs 2835 SMD LEDs, bare board, lighting series, constant voltage, dc24V, LED flex strip (LED A, use with profile)

3000\*15, 720pcs 2835 SMD LEDs, double-row, bare board, lighting series, constant voltage, dc24V, LED flex strip (LED A, use with profile)

**Figure:**



**Features:**

- ⦿ High-strength 2835 SMD LED, highly reliable;
- ⦿ ERP system, one BIN only, good color uniformity;
- ⦿ Anti-oxidation by silver for bonding pad;
- ⦿ Silver-Tin pad design, easy soldering;
- ⦿ Whole new ID, simple and elegant;
- ⦿ CE, ROHS, UL, etc. compliant.

**Applications:**

- ⦿ Suitable for hotel, shopping mall, home, cabinet, show frame, etc. as main lighting, indirect lighting, cove lighting, contour lighting, decorative lighting, etc

**Warranty:**

- ⦿ 3 years or 13,000 hours, whichever comes first

**Optical and Electrical Parameters:**

P/N	LED Color	CCT (K) WL (nm)	CRI	SDC M	Beam Angle (°)	Luminous Flux (lm/m)	Luminous Efficacy (lm/W)	Working voltage (VDC)	Working current (mA)		Power (W/m)	
									1m[39.37in]	3m[118.11in]	1m[39.37in]	3m[118.11in]
RD00C0TC-A-T	white	4000	≥80	≤5	≥115	2040	85	24	1000	2700	24	65
RD00Q0TC-A-T	white	4000	≥80	≤5	≥115	2465	88	24	1160	3120	28	75
RDONQ0TC-A-T	white	4000	≥80	≤5	≥115	2520	90	24	1160	3120	28	75

**Others:**

P/N	IP Grade	Operating Temp		Storage Temp		Standard length		Max. cascading length		LED Qty (pcs)	Weight	
		(°C)	(°F)	(°C)	(°F)	(m)	(inch)	(m)	(inch)		(g/m)	(lb/m)

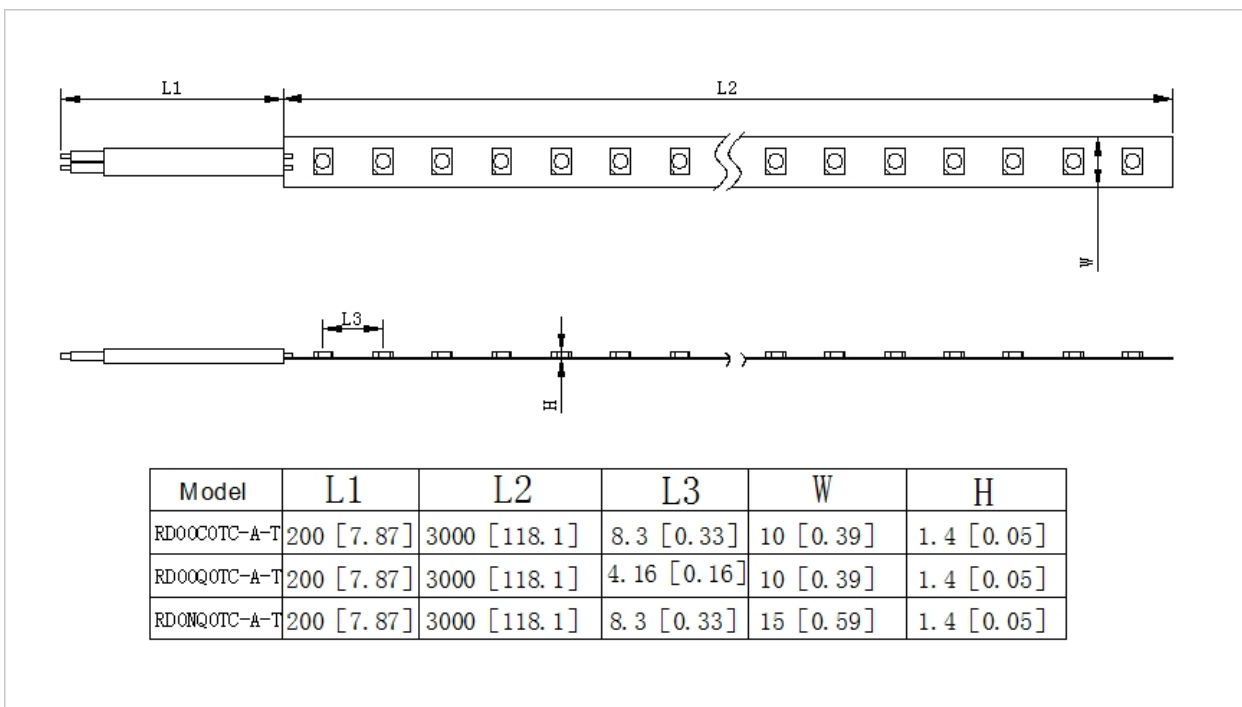
RD00C0TC-A-T	IP20	-25~	-13~	-25~	-13~	3	118.1	3	118.1	120	18	0.04
		+60	+140	+70	+158							
RD00Q0TC-A-T	IP20	-25~	-13~	-25~	-13~	3	118.1	3	118.1	240	20	0.044
		+60	+140	+70	+158							
RD0NQ0TC-A-T	IP20	-25~	-13~	-25~	-13~	3	118.1	3	118.1	240	20	0.044
		+60	+140	+70	+158							

Notes:

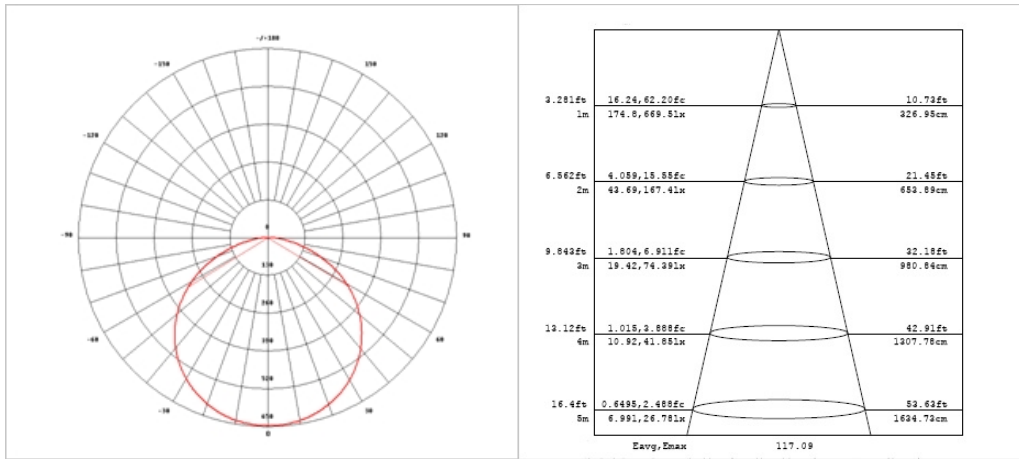
- (1) Testing environment temperature: 25±2°C [77±3.6°F];
- (2) The actual data of each single product may differ from above typical data which are subject to change without prior notice;
- (3) This product must be used with metal profile, and the recommended material is: Al 6063 - T5, with heat dissipation area above 0.11m²
- (4) The above "--" means the parameters are not required temporarily.

Profile Drawings:

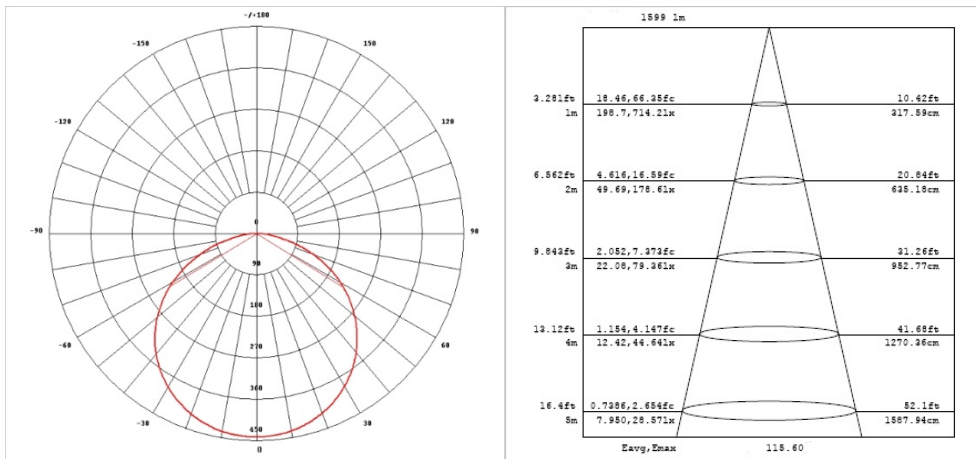
Unit: mm[inch]



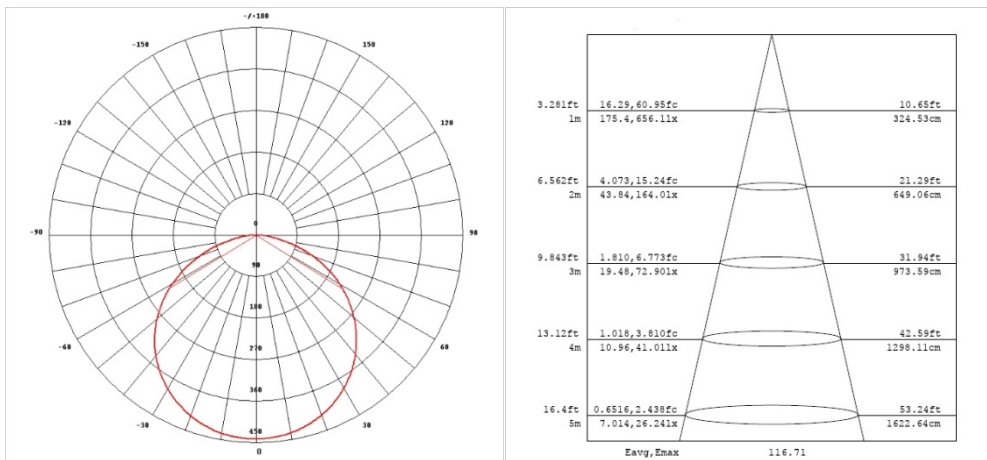
Light Distribution/Iso-illuminance Diagram:



RDOOCOTC-A-T



RDOOQOTC-A-T

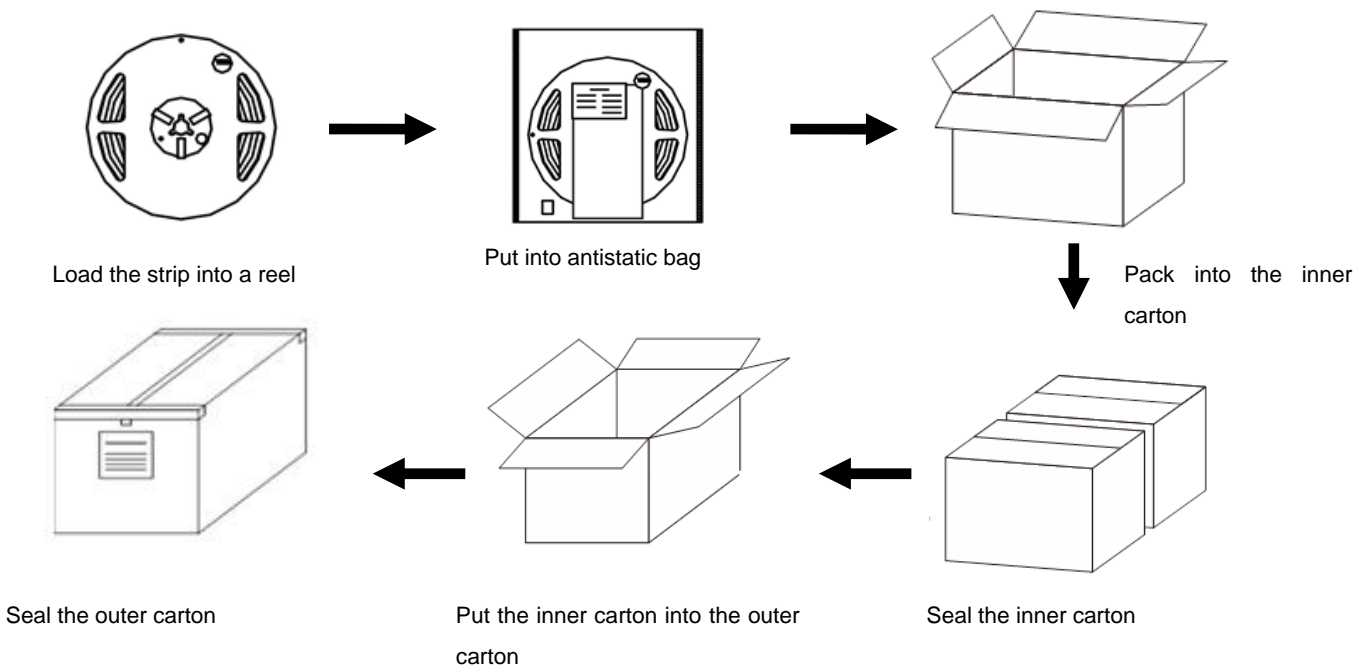


RDONQOTC-A-T

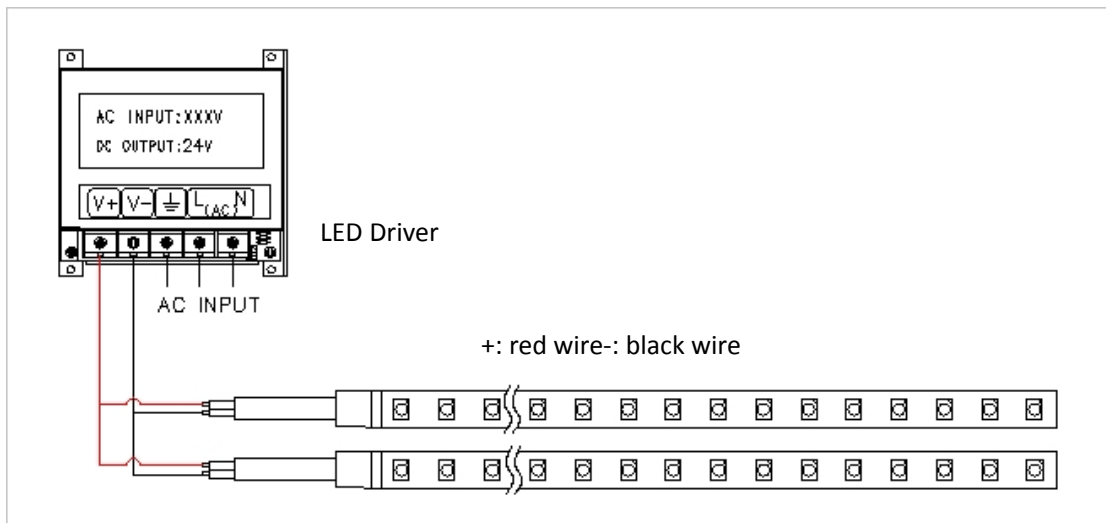
**Packaging Information:**

P/N	Qty (m/reel)	Qty (m/carton)	Total Qty (m)	Total weight		Outer carton size					
						length		width		height	
				(Kg)	(lb)	(mm)	(inch)	(mm)	(inch)	(mm)	(inch)
RD00COTC-A-T	3	60	120	4.0	8.8	398	15.66	256	10.07	238	9.37
RD00QOTC-A-T	3	60	120	4.2	9.24	398	15.66	256	10.07	238	9.37
RDONQOTC-A-T	3	60	120	4.2	9.24	398	15.66	256	10.07	238	9.37

**Packaging Diagram:**



**Connection Instruction:**



Note: Please connect the '+' and '-' of strips to those of driver output correctly.

**Parts & Tools:**

◎ **Product Spare Parts**

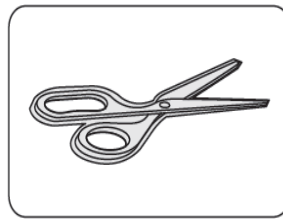


LED Strip

◎ **Self-provided Tools**

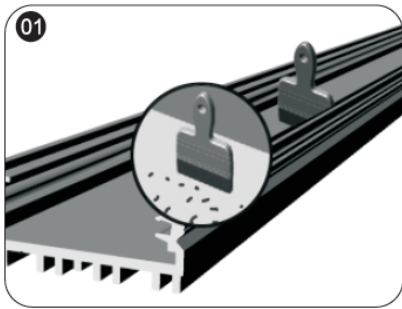


Electrical Drill & Drilling bit

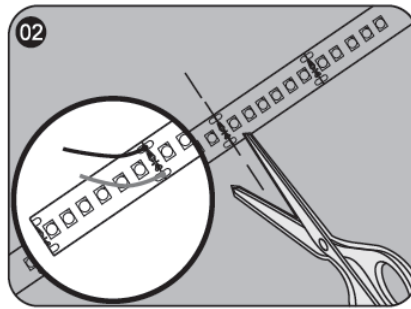


Scissors

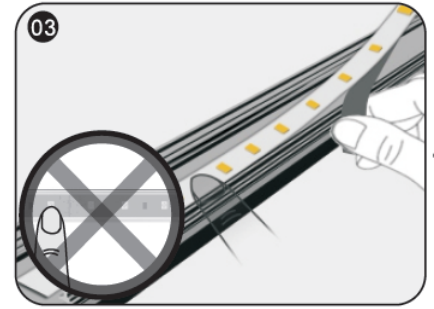
**Installation Steps & Cautions:**



- ◎ Make sure the mounting surface is clean before installation;



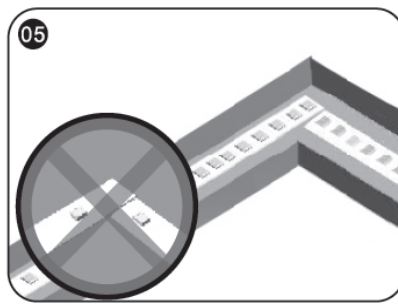
- ◎ Calculate the needed length and cut off the extra length along cutting mark if necessary; if need to add wires, please weld them at the next location with printed mark



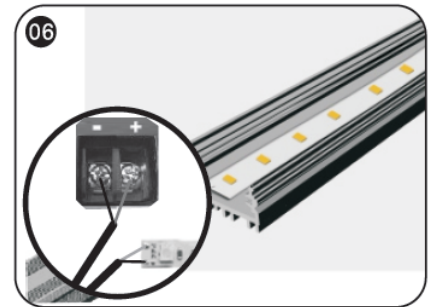
- ◎ While sticking strips, peel off the release paper of the tape step by step. Don't peel off all release paper at a time to avoid getting your strip in a mess.
- △Notes: No pressing the bead!



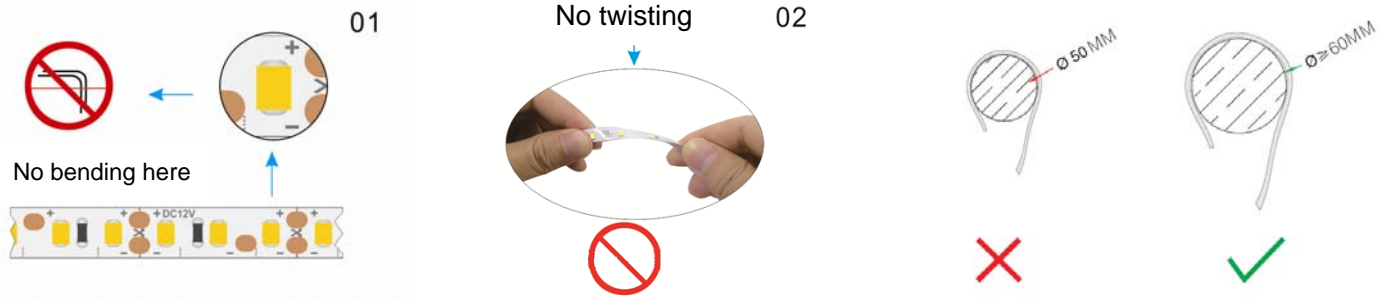
- ◎ Stick Mylar tape to isolate the cutting position from the bottom of profile inner slot to avoid short-circuit;



- ◎ The installation at the corner is shown as the above figure.
- △ Notes: No bending it into right angle; No twisting it to stick on the mounting surface.



- ◎ Connect strip wires to the output terminal of power supply, and dispose with waterproof, insulation, short-circuit and anti-corrosion protection at both the wire joints and the cut section of your strip (if any).



⊙ No bending the strip at the position of LED

⊙ No twisting the strip

⊙ No winding an object with a diameter <math>< 5\text{cm}</math>.

**Optional Parts:**

Category	Part Name	Figure	Specifications/Description	Article Number	Color	IP Grade	Notes
Terminal Connector	Connector		10mm width, single color, bare board LED strips/ cable-board connector /24.3*14.6*7.7mm	1CN-07-117	/	/	/
	Connector		special purpose for 240 SMD LEDs 10mm width, single color, bare board LED strips/ cable-board connector /24.27*14.6*7.7mm	1CN-07-118	/	/	/
	Connector		special purpose for 240 SMD LEDs 10mm width, single color, bare board LED strips/board-board connector /19.55*14.6*7.71mm	1CN-07-124	/	/	/
	Connector		10mm width, single color, bare board LED strips/board-board connector/19.55*14.6*7.7mm	1CN-07-123	/	/	/
	Connector		Connector /cable-cable /25*6.7*6.65mm/1P/QJ-XC-JXD-D1	1CN-07-065	/	/	/
	Connector		Connector / cable-cable /25*10.6*6.65mm/2P/QJ-XC-JXD-H2	1CN-07-066	/	/	/
	Connector		Connector / cable-cable /25*12.8*6.65mm/1P/QJ-XC-JXD-T1/	1CN-07-067	/	/	/
	Connector		Connector / cable-cable /28.6*16.6*6.65mm/2P/QJ-XC-JXD-T2/	1CN-07-068	/	/	/
	Connector		Connector / cable-cable /22*9.5*6mm/2P/QJ-XC-JXD-D2/	1CN-07-069	/	/	/

**Troubleshooting:**



Malfunctions	Possible Causes	Solutions
All LEDs don't work	1. The power supply did not connect to power grid.	Power on
	2. No electricity due to short-circuit of external power supply.	Remove the malfunction caused by short-circuit, power on again.
	3. The wires of strips connect to power supply output reversely.	Check the connecting and ensure the wires are connected correctly.
Part of LEDs don't work	1. Part of power supplies do not have output.	Check the power supply system.
	2. Part of wires of strips have malfunction.	
	3. Particular modules connected reversely.	Correct connection
Brightness of LEDs is weak or uneven	1. Overloaded power supply;	Replace it with higher power supply
	2. The power loss of power circuit is huge or the power loss of each circuit existing big difference.	Ensure working voltage of strips is within $\pm 5\%V$ of rated voltage. 1. Shorten the length of wires between the first strip and power supply or replaced with wires with bigger diameter; 2. Ensure the cascading qty of string is less than or equal to the allowed maximum cascading qty, and each strip cascading qty is well-balanced.
	3. Exceed in qty of strips in series	Lessen the cascading qty for strip and ensure the qty for each electrical circuit is within the maximum cascading qty.
LEDs are blinking	1. Poor contacted in the joints.	Find out and tackle malfunction immediately.
	2. Failures in power supply.	Power on

**Declaration:**

- ⊙ If the external flexible cable of light box is damaged, please replace it by its manufacturer or its service agent or qualified person to avoid a hazard.
- ⊙ The specific installation and cautions please refer to the user manual.
- ⊙ The given data in this specification is based on our standard product. There may be existed slight difference compared with actual products.
- ⊙ All Illustrations in this specification are for reference only.
- ⊙ This product is subject to change or modify without prior notice.
- ⊙ RISHANG OPTOELECTRONICS CO., LTD reserves the right of final explanation for this specification.

<End>

**Shenzhen Rishang Optoelectronics Co., Ltd** (stock code: 002654)

Add: Block 2, Hongfa jiateli High-Tech. Park Tangtou Ave., Shiyan, Bao'an Shenzhen  
GuangDong, 518108, China.

Tell: +86-755-36988588 E-mail: info@ledlamps.com.cn

Website: [www.ledlamps.com.cn](http://www.ledlamps.com.cn)

Website

WeChat Account

