

Specification

| | | | | | |
|----------|---------|----------|----------|-----------|----------|
| Prepared | Checked | Approved | Accepted | Confirmed | Approved |
| | | | | | |

UL **CE** **RoHS** **5050 SMD** **84 LEDS/M** **LED Strip** **DC 24V** **IP 20** **3 years**

Model: RD0284AC-A

5000*12, 420pcs 5050 SMD LED, bare board series, 24Vdc, constant voltage, RGBW colorful LED flex strip

Figure:



Features:

- New ID design, simple and elegant, highly textured;
- Integrated 5050 RGBW SMD LED with double color temperature, good light-mixing effect;
- ERP system for white color, good color uniformity;
- Double-sided pure copper PCB, low attenuation;
- Anti-oxidation by silver;
- CE, RoHS, UL compliant, guaranteeing reliable quality

Applications:

- Suitable for hotel, shopping mall, home, cabinet, show frame, etc. as main lighting, indirect lighting, cove lighting, contour lighting, decorative lighting, etc.

Warranty:

- 3 years or 13,000 hours, whichever comes first.

Optical and Electrical Parameters:

| P/N | LED Color | CCT (K) WL (nm) | CRI | SD CM | Beam Angle (°) | Luminous Flux (lm/m) | Luminous Efficacy (lm/W) | Working voltage (VDC) | Working current(mA) | | Power(w) | |
|------------|---------------|--------------------|-----|----------|----------------------|----------------------------|--------------------------------|-----------------------------|------------------------|-----------------|-----------------|-----------------|
| | | | | | | | | | 1m[39 .37in] | 5m[19 6.8in] | 1m[39 .37in] | 5m[19 6.8in] |
| RD0284AC-A | Red | 620-625 | -- | -- | ≥115 | 150 | 30 | 24 | 210 | 935 | 5 | 22.5 |
| | Green | 525-530 | -- | -- | | 400 | 80 | | 210 | 935 | 5 | 22.5 |
| | Blue | 465-470 | -- | -- | | 100 | 20 | | 210 | 935 | 5 | 22.5 |
| | Pure white | 6500 | ≥80 | - | | 480 | 80 | | 252 | 1125 | 6 | 27 |

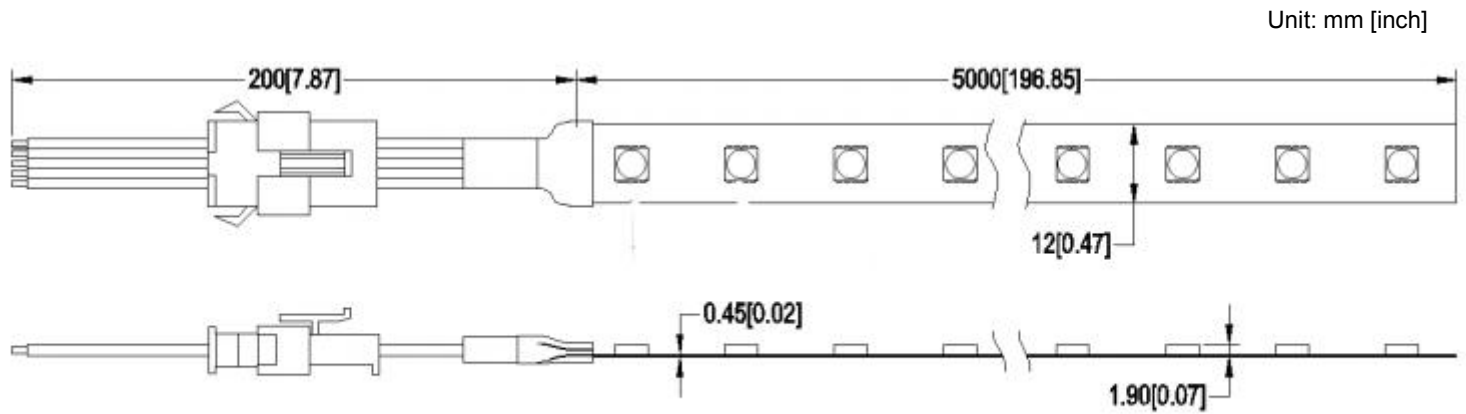
Others:

| P/N | IP Grade | Operating Temp | | Storage Temp | | Standard length | | Max. cascading length | | LED Qty (pcs) | Weight | |
|------------|-------------|----------------|--------------|--------------|--------------|--------------------|-------|--------------------------|-------|------------------|-----------|------------|
| | | (°C) | (°F) | (°C) | (°F) | m | inch | m | inch | | (g/piece) | (lb/piece) |
| RD0284AC-A | IP20 | -25~ +60 | -13~ +140 | -25~ +70 | -13~ +158 | 5 | 196.8 | 5 | 196.8 | 84 | 32 | 0.0704 |

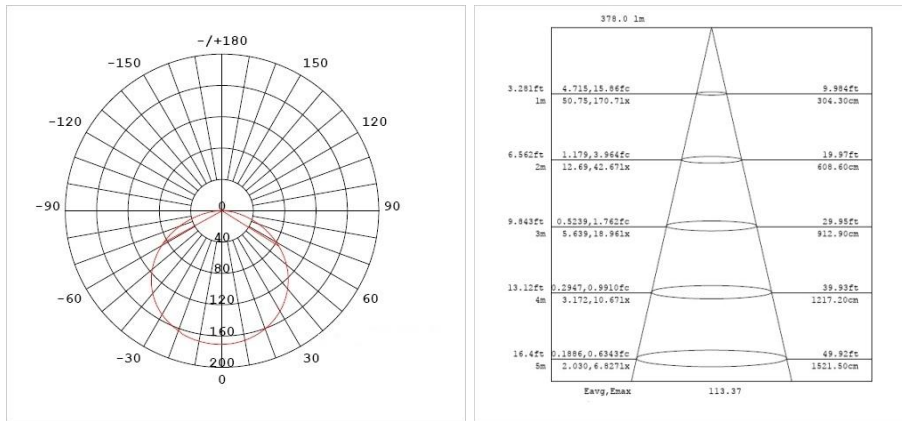
Notes:

- (1) Testing environment temperature: 25±2°C [77±3.6°F];
- (2) The actual data of each single product may differ from above typical data which are subject to change without prior notice;
- (3) The above “-” means the parameters are not required temporarily;
- (4) The product is controlled by controller, and the white light doesn't illuminate simultaneously with other three colors; the max power is 10W/m.

Profile Drawings:



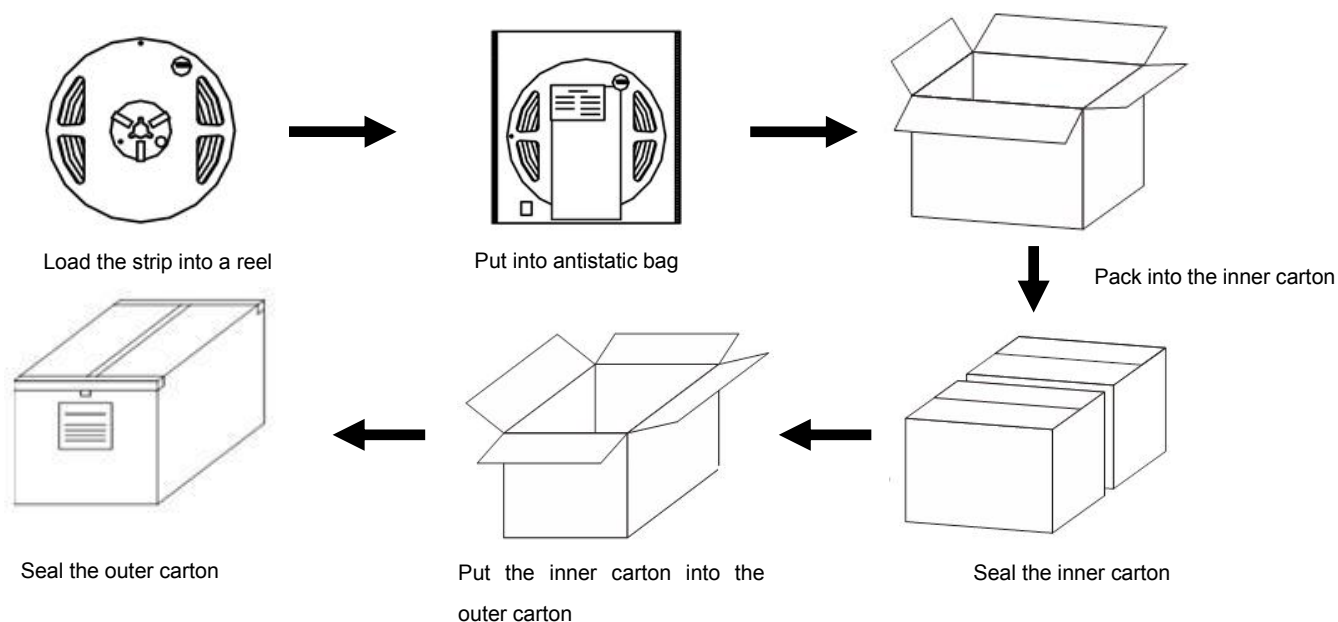
Light Distribution/Iso-illuminance diagram:



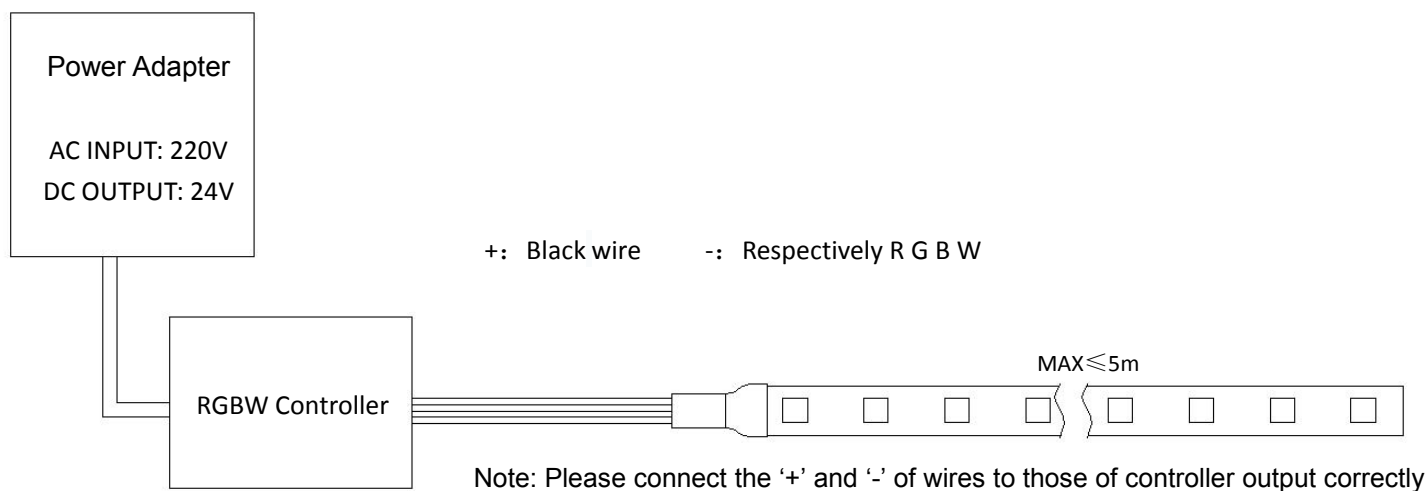
Packaging Information:

| P/N | Qty (PCS/bag) | Qty (bag/carton) | Total Qty (PCS) | Total weight | | Outer carton size | | | | | |
|------------|---------------|------------------|-----------------|--------------|-------|-------------------|--------|-------|--------|--------|--------|
| | | | | | | length | | width | | height | |
| | | | | (Kg) | (lb) | (mm) | (inch) | (mm) | (inch) | (mm) | (inch) |
| RD0284AC-A | 5 | 60 | 120 | 5.7 | 12.54 | 398 | 15.66 | 256 | 10.07 | 238 | 9.37 |

Packaging Diagram:



Connection Instruction:



Parts & Tools:

Product Spare Parts

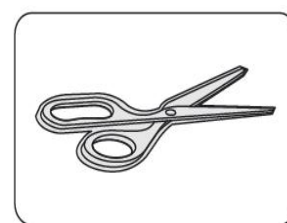


LED Strip

Self-provided Tools

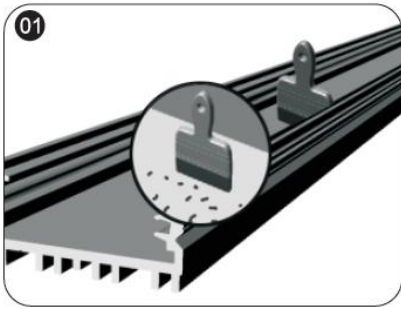


Electrical Drill & Drilling bit

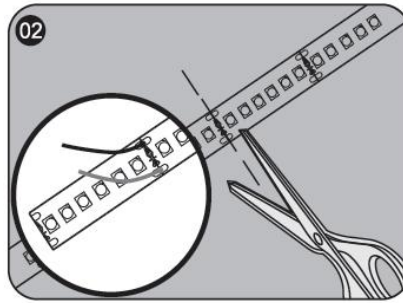


Scissors

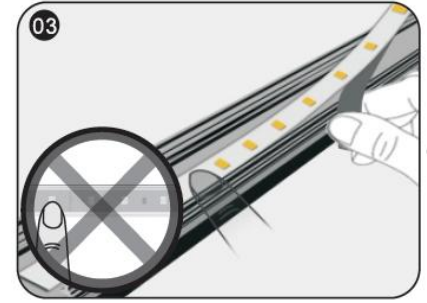
Installation Steps & Cautions:



⊙ Make sure the mounting surface is clean before installation;



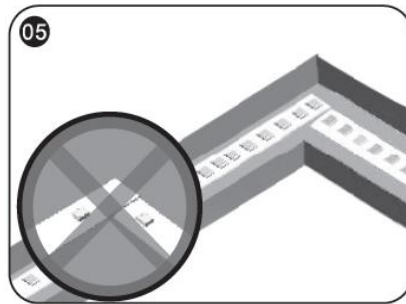
⊙ Calculate the needed length and cut off the extra length along cutting mark if necessary; if need to add wires, please weld them at the next location with printed mark.



⊙ While sticking strips, peel off the release paper of the tape step by step. Don't peel off all release paper at a time to avoid getting your strip in a mess.
△Notes: No pressing the bead!



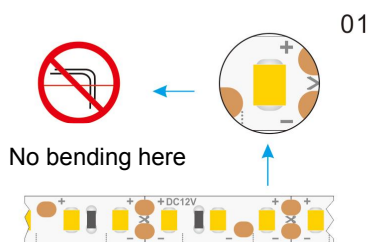
⊙ Stick Mylar tape to isolate the cutting position from the bottom of profile inner slot to avoid short-circuit;



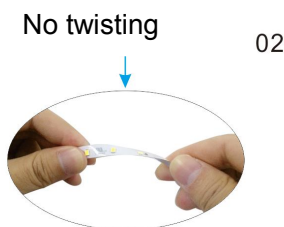
⊙ The installation at the corner is shown as the above figure.
△ Notes: No bending it into right angle; No twisting it to stick on the mounting surface.



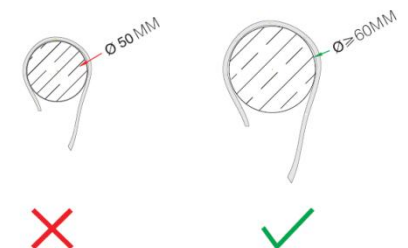
⊙ Connect strip wires to the output terminal of controller, and connect controller to the power supply, and dispose with waterproof, insulation, short-circuit and anti-corrosion protection at both the wire joints and the cut section of your strip (if any)



⊙ No bending the strip at the position of LED



⊙ No twisting the strip



⊙ No winding an object with a diameter <5cm

Troubleshooting:

| Malfunctions | Possible Causes | Solutions |
|--------------------------------------|---|---|
| All LEDs don't work | 1. The power supply did not connect to power grid. | Power on |
| | 2. No electricity due to short-circuit of external power supply. | Remove the malfunction caused by short-circuit, power on again. |
| | 3. The wires of strips connect to power supply output reversely. | Check the connecting and ensure the wires are connected correctly. |
| Part of LEDs don't work | 1. Part of power supplies do not have output. | Check the power supply system. |
| | 2. Part of wires of strips have malfunction. | |
| | 3. Particular modules connected reversely. | Correct connection |
| Brightness of LEDs is weak or uneven | 1. Overloaded power supply; | Replace it with higher power supply |
| | 2. The power loss of power circuit is huge or the power loss of each circuit existing big difference. | Ensure working voltage of strips is within $\pm 5\%$ V of rated voltage. 1. Shorten the length of wires between the first strip and power supply or replaced with wires with bigger diameter; 2. Ensure the cascading qty of string is less than or equal to the allowed maximum cascading qty, and each strip cascading qty is well-balanced.) |
| | 3. Exceed in qty of strips in series | Lessen the cascading qty for strip and ensure the qty for each electrical circuit is within the maximum cascading qty. |
| LEDs are blinking | 1. Poor contacted in the joints. | Find out and tackle malfunction immediately. |
| | 2. Failures in power supply. | Replace power supply. |

Declaration:

- ⊙ If the external flexible cable of light box is damaged, please replace it by its manufacturer or its service agent or qualified person to avoid a hazard.
- ⊙ The specific installation and cautions please refer to the user manual.
- ⊙ The given data in this specification is based on our standard product. There may be existed slight difference compared with actual products.
- ⊙ All Illustrations in this specification are for reference only.
- ⊙ This product is subject to change or modify without prior notice.
- ⊙ RISHANG OPTOELECTRONICS CO., LTD reserves the right of final explanation for this specification.

<End>

Rishang Optoelectronics Co., Ltd (stock code: 002654)

Add: Block 2, Hongfa jiateli High-Tech. Park Tangtou Ave., Shiyan, Bao'an Shenzhen

Tell: +86-755-36988588 E-mail: info@ledlamps.com.cn

Website: www.ledlamps.com.cn



Website



WeChat Account

