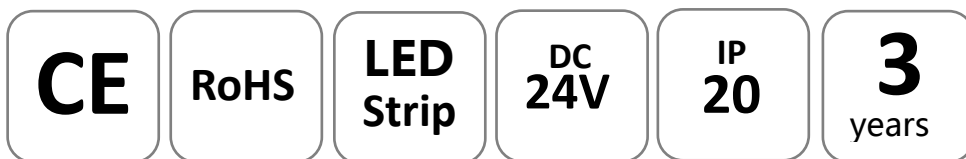


Specification

Prepared	Checked	Approved	Accepted	Confirmed	Approved

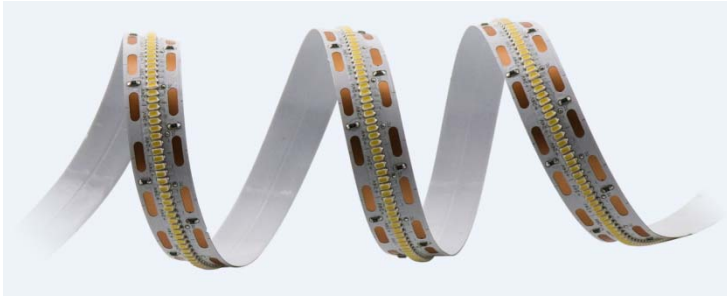


Model: ☉ RD00V0XC-T / RD02AFXC-T

5000*10mm 1400pcs 2110 SMD LEDs, bare board series, constant voltage 24Vdc, flexible LED strip/with profile(white 15W/m)

5000*12mm 3500pcs 2110 SMD LEDs, bare board series, constant voltage 24Vdc, flexible LED strip/with profile(white30W/m)

Picture:



Features:

- ☉ Continuous luminescence without sense of particle, softer and more uniform luminance;
- ☉ High CRI, high brightness and high efficiency;
- ☉ Used with linear lighting profile of arbitrary height;
- ☉ High temperature resistance , long lifespan;
- ☉ CE、RoHS

Applications:

- ☉ Suitable for indoor use as decorative lighting, such as KTV, shopping mall, cabinet, etc. as corner decoration or contour lighting.

Warranty:

- ☉ 3 years or 13,000 hours, whichever comes first

Optical and Electrical Parameters:

P/N	LED Color	CCT (K) WL (nm)	CRI	SDCM	Beam Angle (°)	Luminous Flux (lm/m)	Luminous Efficacy (lm/w)	Working voltage (VDC)	Working current(mA)		Power (w)	
									1m	5m	1m	5m
RD00V0XC-T	white	2700	≥90	--	115	1170	78	24	625	2666	15	64
		4000										
		6500										
RD02AFXC-T	white	2700	≥90	--	115	2400	80	24	1250	5000	30	120
		4000										
		6500										

Others:

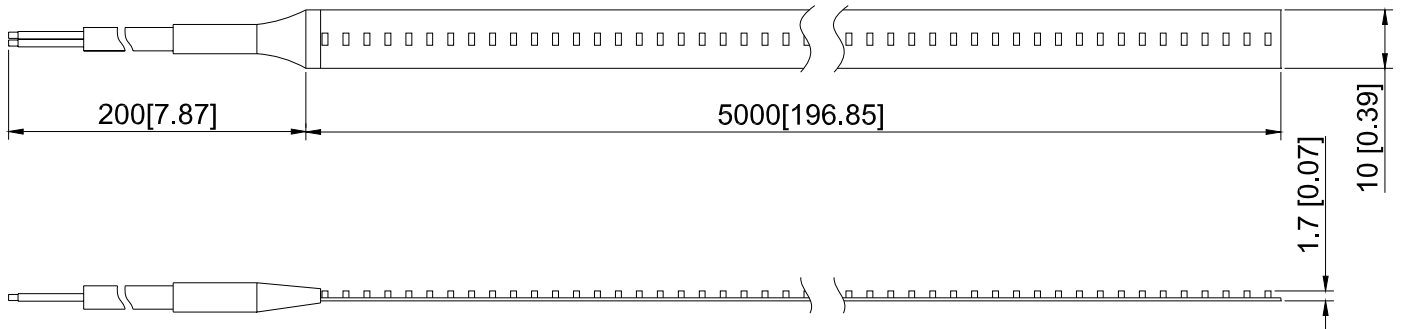
P/N	IP Grade	Operating Temp (°C)	Storage Temp (°C)	Standard length (m)	Max. cascading length (m)	LEDQty (pcs/m)	Weight (g/m)
RD00V0XC-T	IP20	-25~+60	-25~+70	5	5	280	12.5
RD02AFXC-T	IP20	-25~+60	-25~+70	5	5	700	17

Notes:

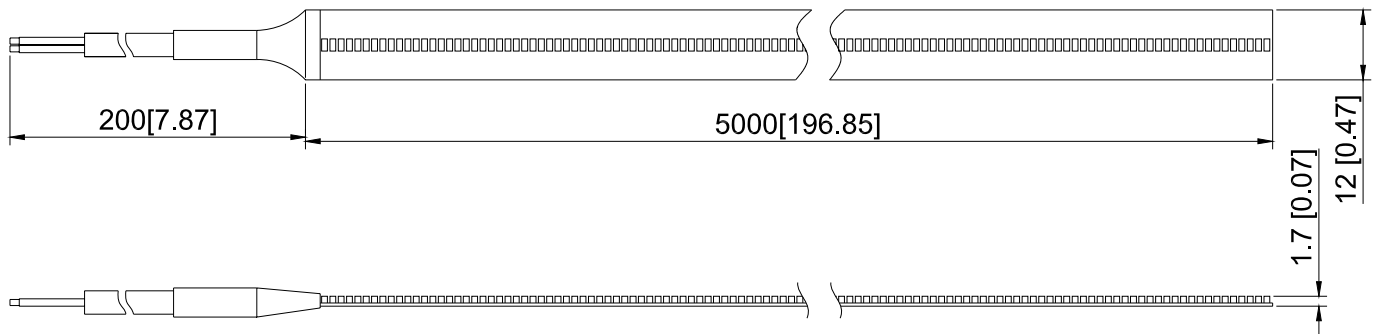
- (1) Testing environment temperature: 25±2°C [77±3.6°F];
- (2) The above data each single product could differ from the typical values. The data subject to change without prior notice;
- (3) Bending diameter ≥60mm, not suitable for character signage application.
- (4) The above “--” means the parameters are not required temporarily.

Profile Drawings:

Unit: mm[inch]



RD00V0XC-T



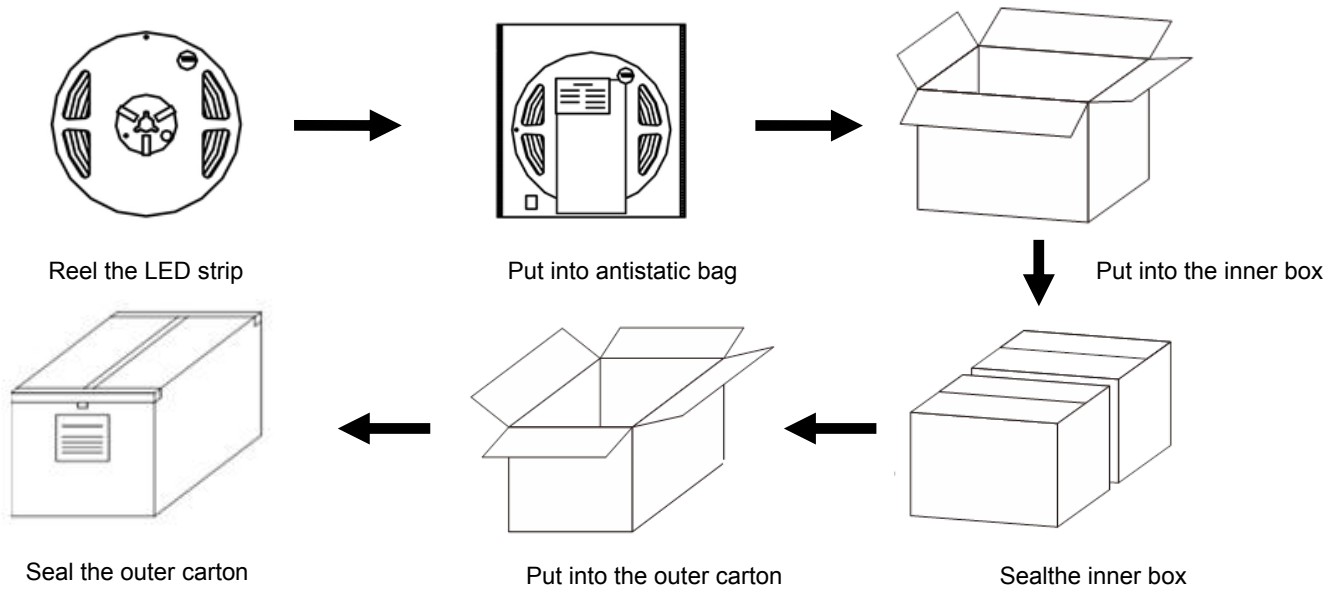
RD02AFXC-T

Packaging Information:

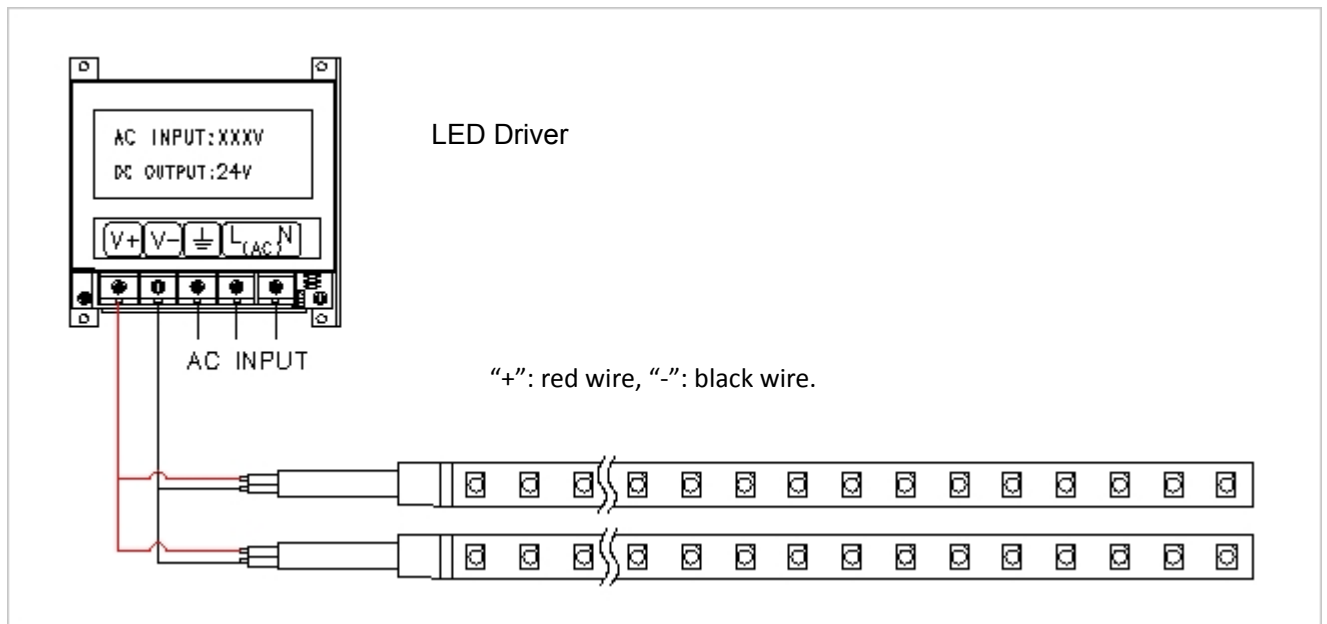
P/N	Qty (m/reel)	Qty (m/carton)	Total Qty (m)	Total weight	Outer carton size(mm)		
					length	width	height
RD00V0XC-T	5	150	150	3.4	405	256	238
RD02AFXC-T	5	120	120	3.1	405	256	238

Notes: Above qty and weight of packing is only for the packing shown in the picture, which might be different from other packing modes, thus for actual qty and weight please refer to actual samples.

Packaging Diagram:



Connection Instruction:



Notes: please make sure the "+" and "-" of the product's input are correctly connected to those of the power supply

Parts & Tools:

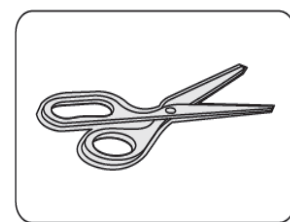
○ Product Parts ○ Self-provided Tools



LED Strip

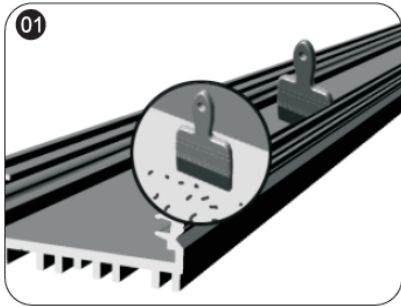


Electrical Drill & Drilling bit

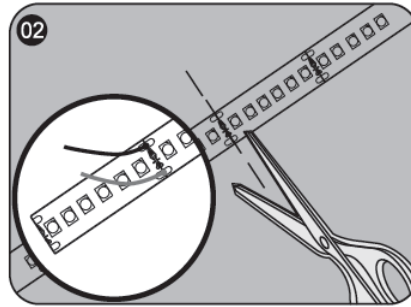


Scissors

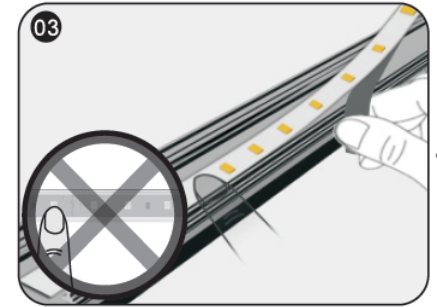
Installation Steps & Cautions :



- Make sure the mounting surface is clean before installation;



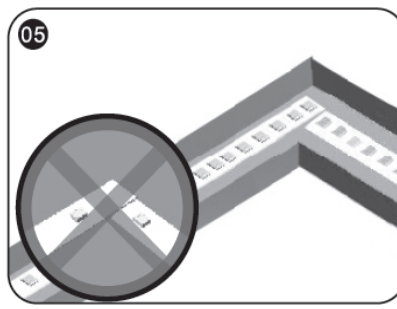
- Calculate the needed length and cut off the extra length along cutting mark if necessary; if need to add wires, please weld them at the next location with printed mark.



- While sticking strips, peel off the release paper of the tape step by step. Don't peel off all release paper at a time to avoid getting your strip in a mess.
 △Notes: No pressing the bead!



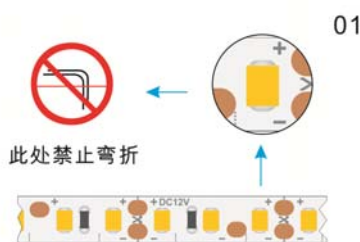
- Stick Mylar tape to isolate the cutting position from the bottom of profile inner slot to avoid short-circuit;



- The installation at the corner is shown as the above figure.
 △Notes: No bending it into right angle; No twisting it to stick on the mounting surface.



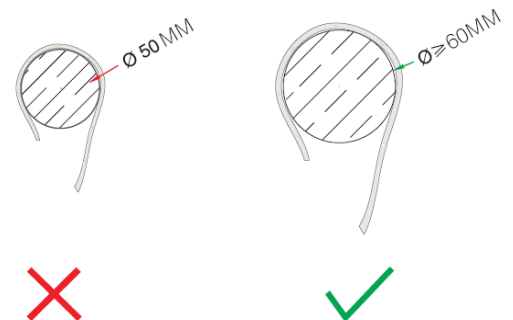
- Connect strip wires to the output terminal of power supply, and dispose with waterproof, insulation, short-circuit and anti-corrosion protection at both the wire joints and the cut section of your strip (if any)



- No bending the strip at the position of LED



- No twisting the strip



- No winding an object with a diameter < 5cm

Troubleshooting:

Malfunctions	Possible Causes	Solutions
All LEDs don't work	1. The power supply did not connect to power grid.	Power on
	2. No electricity due to short-circuit of external power supply.	Remove the malfunction caused by short-circuit, power on again.
	3. The wires of strips connect to power supply output reversely.	Check the connecting and ensure the wires are connected correctly.
Part of LEDs don't work	1. Part of power supplies do not have output.	Check the power supply system.
	2. Part of wires of strips have malfunction.	
	3. Particular modules connected reversely.	Correct connection
Brightness of LEDs is weak or uneven	1. Overloaded power supply;	Replace it with higher power supply
	2. The power loss of power circuit is huge or the power loss of each circuit existing big difference.	Ensure working voltage of strips is within $\pm 5\%$ V of rated voltage. (1. Shorten the length of wires between the first strip and power supply or replaced with wires with bigger diameter; 2. Ensure the cascading qty of string is less than or equal to the allowed maximum cascading qty, and each strip cascading qty is well-balanced.)
	3. Exceed in qty of strips in series	Lessen the cascading qty for strip and ensure the qty for each electrical circuit is within the maximum cascading qty.
LEDs are blinking	1. Poor contacted in the joints.	Find out and tackle malfunction immediately.
	2. Failures in power supply.	Replace power supply.

Declaration:

- ⊙ If the external flexible cable of light box is damaged, please replace it by its manufacturer or its service agent or qualified person to avoid a hazard.
- ⊙ The specific installation and cautions please refer to the user manual.
- ⊙ The given data in this specification is based on our standard product. There may be existed slight difference compared with actual products.
- ⊙ All Illustrations in this specification are for reference only.
- ⊙ This product is subject to change or modify without prior notice.
- ⊙ RISHANG OPTOELECTRONICS CO., LTD reserves the right of final explanation for this specification.

<End>

Rishang Optoelectronics Co., Ltd (stock code: 002654)

Add: Block 2, Hongfa jiateli High-Tech. Park Tangtou Ave., Shiyan, Bao'an Shenzhen
Guang Dong, 518108, China

Tell: +86-755-33258896 E-mail: info@ledlamps.com.cn

Website: www.ledlamps.com.cn

Website



Official Account

