

# Specification

Prepared	Checked	Approved	Accepted	Confirmed	Approved

<b>UL</b>	<b>CE</b>	RoHS	<b>2835</b> SMD	<b>120</b> LEDS/M	<b>LED</b> Strip	DC <b>24V</b>	IP <b>20</b>	<b>3</b> YEARS
-----------	-----------	------	--------------------	----------------------	---------------------	------------------	-----------------	-------------------

**Model:**RD0860TA-B/RD0860TC-B/RD08C0TA-B/RD08C0TC-B/  
RD0030TA-A/RD0030TC-A/RD0060TA-A/RD0060TC-A

5000\*8, 300pcs 2835 SMD LEDs, bare board, lighting series, constant voltage, dc12V, LED flex strip  
 5000\*8, 300pcs 2835 SMD LEDs, bare board, lighting series, constant voltage, dc24V, LED flex strip  
 5000\*8, 600pcs 2835 SMD LEDs, bare board, lighting series, constant voltage, dc12V, LED flex strip  
 5000\*8, 600pcs 2835 SMD LEDs, bare board, lighting series, constant voltage, dc24V, LED flex strip  
 5000\*10, 150pcs 2835 SMD LEDs, bare board, lighting series, constant voltage, dc12V, LED flex strip  
 5000\*10, 150pcs 2835 SMD LEDs, bare board, lighting series, constant voltage, dc24V, LED flex strip  
 5000\*10, 300pcs 2835 SMD LEDs, bare board, lighting series, constant voltage, dc12V, LED flex strip  
 5000\*10, 300pcs 2835 SMD LEDs, bare board, lighting series, constant voltage, dc24V, LED flex strip

### Features:

- ⊙ High-strength 2835 SMD LED, highly reliable;
- ⊙ ERP system, one BIN only, good color uniformity;
- ⊙ Anti-oxidation by silver for bonding pad;
- ⊙ Silver-Tin pad design, easy soldering;
- ⊙ Whole new ID, simple and elegant;
- ⊙ CE, ROHS, UL, etc. compliant.

### Figure:



### Applications:

- ⊙ Suitable for hotel, shopping mall, home, cabinet, show frame, etc. as main lighting, indirect lighting, cove lighting, contour lighting, decorative lighting, etc

### Warranty:

- ⊙ 3 years or 13,000 hours, whichever comes first.

### Optical and Electrical Parameters:

P/N	LED Color	CCT (K)	CRI	SDCM	Beam Angle (°)	Luminous Flux (lm/m)	Luminous Efficacy (lm/W)	Working voltage (VDC)	Working current (mA)		Power (W/piece)	
									1m[3 9.37in]	5m[1 96.8in]	1m[3 39.3in]	5m[1 96.8in]
RD0860TA-B	white	1800	≥80	≤5	≥115	345	58	12	500	1830	6	22
RD0860TA-B	white	2200	≥80	≤5	≥115	450	75	12	500	1830	6	22
RD0860TA-B	white	2400	≥80	≤5	≥115	485	81	12	500	1830	6	22
RD0860TA-B	white	2700	≥80	≤5	≥115	495	83	12	500	1830	6	22
RD0860TA-B	white	3000	≥80	≤5	≥115	505	84	12	500	1830	6	22
RD0860TA-B	white	4000	≥80	≤5	≥115	550	92	12	500	1830	6	22

RD0860TA-B	white	5000	$\geq 80$	$\leq 5$	$\geq 115$	550	92	12	500	1830	6	22
RD0860TA-B	white	6500	$\geq 80$	$\leq 5$	$\geq 115$	535	89	12	500	1830	6	22
RD0860TC-B	white	1800	$\geq 80$	$\leq 5$	$\geq 115$	345	58	24	250	1000	6	24
RD0860TC-B	white	2200	$\geq 80$	$\leq 5$	$\geq 115$	450	75	24	250	1000	6	24
RD0860TC-B	white	2400	$\geq 80$	$\leq 5$	$\geq 115$	485	81	24	250	1000	6	24
RD0860TC-B	white	2700	$\geq 80$	$\leq 5$	$\geq 115$	495	83	24	250	1000	6	24
RD0860TC-B	white	3000	$\geq 80$	$\leq 5$	$\geq 115$	505	84	24	250	1000	6	24
RD0860TC-B	white	4000	$\geq 80$	$\leq 5$	$\geq 115$	550	92	24	250	1000	6	24
RD0860TC-B	white	5000	$\geq 80$	$\leq 5$	$\geq 115$	550	92	24	250	1000	6	24
RD0860TC-B	white	6500	$\geq 80$	$\leq 5$	$\geq 115$	535	89	24	250	1000	6	24
RD08C0TA-B	white	1800	$\geq 80$	$\leq 5$	$\geq 115$	510	59	12	720	2830	8.6	34
RD08C0TA-B	white	2200	$\geq 80$	$\leq 5$	$\geq 115$	665	77	12	720	2830	8.6	34
RD08C0TA-B	white	2400	$\geq 80$	$\leq 5$	$\geq 115$	710	83	12	720	2830	8.6	34
RD08C0TA-B	white	2700	$\geq 80$	$\leq 5$	$\geq 115$	730	85	12	720	2830	8.6	34
RD08C0TA-B	white	3000	$\geq 80$	$\leq 5$	$\geq 115$	745	87	12	720	2830	8.6	34
RD08C0TA-B	white	4000	$\geq 80$	$\leq 5$	$\geq 115$	810	94	12	720	2830	8.6	34
RD08C0TA-B	white	5000	$\geq 80$	$\leq 5$	$\geq 115$	810	94	12	720	2830	8.6	34
RD08C0TA-B	white	6500	$\geq 80$	$\leq 5$	$\geq 115$	785	91	12	720	2830	8.6	34
RD08C0TC-B	white	1800	$\geq 80$	$\leq 5$	$\geq 115$	510	59	24	360	1500	8.6	36
RD08C0TC-B	white	2200	$\geq 80$	$\leq 5$	$\geq 115$	665	77	24	360	1500	8.6	36
RD08C0TC-B	white	2400	$\geq 80$	$\leq 5$	$\geq 115$	710	83	24	360	1500	8.6	36
RD08C0TC-B	white	2700	$\geq 80$	$\leq 5$	$\geq 115$	730	85	24	360	1500	8.6	36
RD08C0TC-B	white	3000	$\geq 80$	$\leq 5$	$\geq 115$	745	87	24	360	1500	8.6	36
RD08C0TC-B	white	4000	$\geq 80$	$\leq 5$	$\geq 115$	810	94	24	360	1500	8.6	36
RD08C0TC-B	white	5000	$\geq 80$	$\leq 5$	$\geq 115$	810	94	24	360	1500	8.6	36
RD08C0TC-B	white	6500	$\geq 80$	$\leq 5$	$\geq 115$	785	91	24	360	1500	8.6	36
RD0030TA-A	white	1800	$\geq 80$	$\leq 5$	$\geq 115$	315	53	12	500	1830	6	22
RD0030TA-A	white	2200	$\geq 80$	$\leq 5$	$\geq 115$	410	68	12	500	1830	6	22
RD0030TA-A	white	2400	$\geq 80$	$\leq 5$	$\geq 115$	440	73	12	500	1830	6	22
RD0030TA-A	white	2700	$\geq 80$	$\leq 5$	$\geq 115$	450	75	12	500	1830	6	22
RD0030TA-A	white	3000	$\geq 80$	$\leq 5$	$\geq 115$	460	77	12	500	1830	6	22

RD0030TA-A	white	4000	$\geq 80$	$\leq 5$	$\geq 115$	500	83	12	500	1830	6	22
RD0030TA-A	white	5000	$\geq 80$	$\leq 5$	$\geq 115$	500	83	12	500	1830	6	22
RD0030TA-A	white	6500	$\geq 80$	$\leq 5$	$\geq 115$	485	81	12	500	1830	6	22
RD0030TC-A	white	1800	$\geq 80$	$\leq 5$	$\geq 115$	315	44	24	300	1250	7.2	30
RD0030TC-A	white	2200	$\geq 80$	$\leq 5$	$\geq 115$	410	57	24	300	1250	7.2	30
RD0030TC-A	white	2400	$\geq 80$	$\leq 5$	$\geq 115$	440	61	24	300	1250	7.2	30
RD0030TC-A	white	2700	$\geq 80$	$\leq 5$	$\geq 115$	450	63	24	300	1250	7.2	30
RD0030TC-A	white	3000	$\geq 80$	$\leq 5$	$\geq 115$	460	64	24	300	1250	7.2	30
RD0030TC-A	white	4000	$\geq 80$	$\leq 5$	$\geq 115$	500	70	24	300	1250	7.2	30
RD0030TC-A	white	5000	$\geq 80$	$\leq 5$	$\geq 115$	500	70	24	300	1250	7.2	30
RD0030TC-A	white	6500	$\geq 80$	$\leq 5$	$\geq 115$	485	67	24	300	1250	7.2	30
RD0060TA-A	white	1800	$\geq 80$	$\leq 5$	$\geq 115$	630	53	12	1000	3830	12	46
RD0060TA-A	white	2200	$\geq 80$	$\leq 5$	$\geq 115$	820	68	12	1000	3830	12	46
RD0060TA-A	white	2400	$\geq 80$	$\leq 5$	$\geq 115$	880	73	12	1000	3830	12	46
RD0060TA-A	white	2700	$\geq 80$	$\leq 5$	$\geq 115$	900	75	12	1000	3830	12	46
RD0060TA-A	white	3000	$\geq 80$	$\leq 5$	$\geq 115$	920	77	12	1000	3830	12	46
RD0060TA-A	white	4000	$\geq 80$	$\leq 5$	$\geq 115$	1000	83	12	1000	3830	12	46
RD0060TA-A	white	5000	$\geq 80$	$\leq 5$	$\geq 115$	1000	83	12	1000	3830	12	46
RD0060TA-A	white	6500	$\geq 80$	$\leq 5$	$\geq 115$	970	81	12	1000	3830	12	46
RD0060TC-A	white	1800	$\geq 80$	$\leq 5$	$\geq 115$	630	53	24	500	2000	12	48
RD0060TC-A	white	2200	$\geq 80$	$\leq 5$	$\geq 115$	820	68	24	500	2000	12	48
RD0060TC-A	white	2400	$\geq 80$	$\leq 5$	$\geq 115$	880	73	24	500	2000	12	48
RD0060TC-A	white	2700	$\geq 80$	$\leq 5$	$\geq 115$	900	75	24	500	2000	12	48
RD0060TC-A	white	3000	$\geq 80$	$\leq 5$	$\geq 115$	920	77	24	500	2000	12	48
RD0060TC-A	white	4000	$\geq 80$	$\leq 5$	$\geq 115$	1000	83	24	500	2000	12	48
RD0060TC-A	white	5000	$\geq 80$	$\leq 5$	$\geq 115$	1000	83	24	500	2000	12	48
RD0060TC-A	white	6500	$\geq 80$	$\leq 5$	$\geq 115$	970	81	24	500	2000	12	48

**Others:**

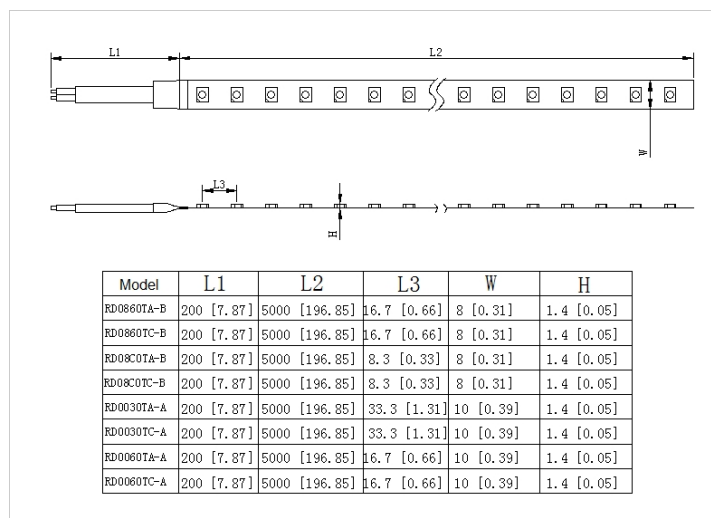
P/N	IP Grade	Operating Temp		Storage Temp		Standard length		Max. cascading length		LED Qty (pcs)	Weight	
		(°C)	(°F)	(°C)	(°F)	(m)	(inch)	(m)	(inch)		(g/piece)	(lb/piece)
RD0860TA-B	IP20	-25~ +60	-13~ +140	-25~ +70	-13~ +158	5	196.8	5	196.8	60	16	0.035
RD0860TC-B	IP20	-25~ +60	-13~ +140	-25~ +70	-13~ +158	5	196.8	5	196.8	60	16	0.035
RD08C0TA-B	IP20	-25~ +60	-13~ +140	-25~ +70	-13~ +158	5	196.8	5	196.8	120	18	0.04
RD08C0TC-B	IP20	-25~ +60	-13~ +140	-25~ +70	-13~ +158	5	196.8	5	196.8	120	18	0.04
RD0030TA-A	IP20	-25~ +60	-13~ +140	-25~ +70	-13~ +158	5	196.8	5	196.8	30	14	0.03
RD0030TC-A	IP20	-25~ +60	-13~ +140	-25~ +70	-13~ +158	5	196.8	5	196.8	30	14	0.03
RD0060TA-A	IP20	-25~ +60	-13~ +140	-25~ +70	-13~ +158	5	196.8	5	196.8	60	17	0.037
RD0060TC-A	IP20	-25~ +60	-13~ +140	-25~ +70	-13~ +158	5	196.8	5	196.8	60	17	0.037

**Notes:**

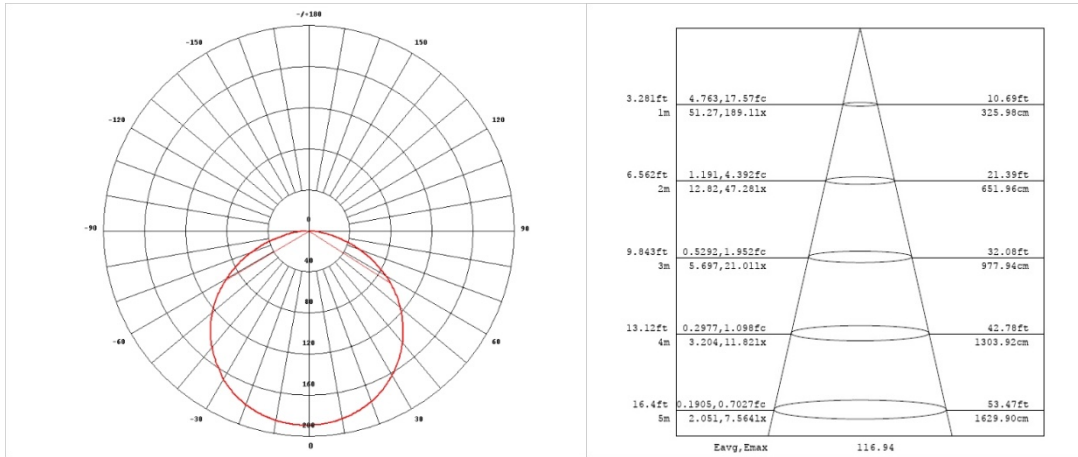
- (1) Testing environment temperature: 25±2°C [77±3.6°F];
- (2) The actual data of each single product may differ from above typical data which are subject to change without prior notice.

**Profile Drawings:**

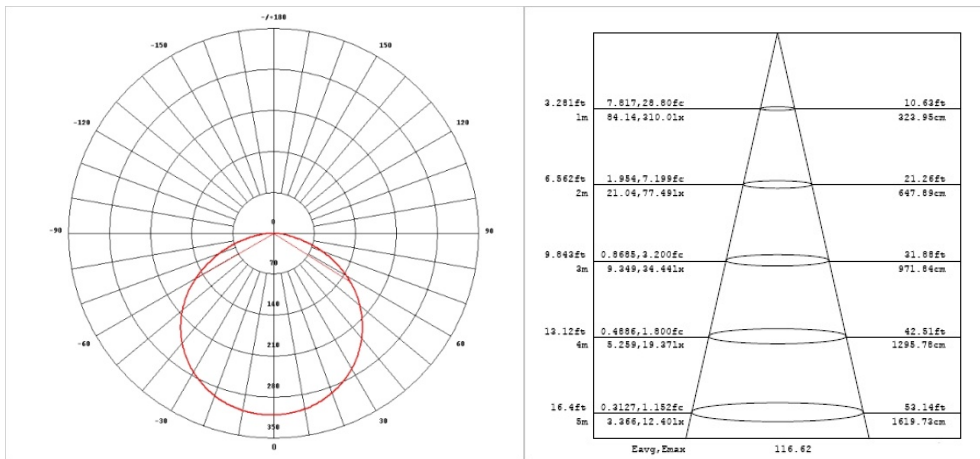
Unit: mm[inch]



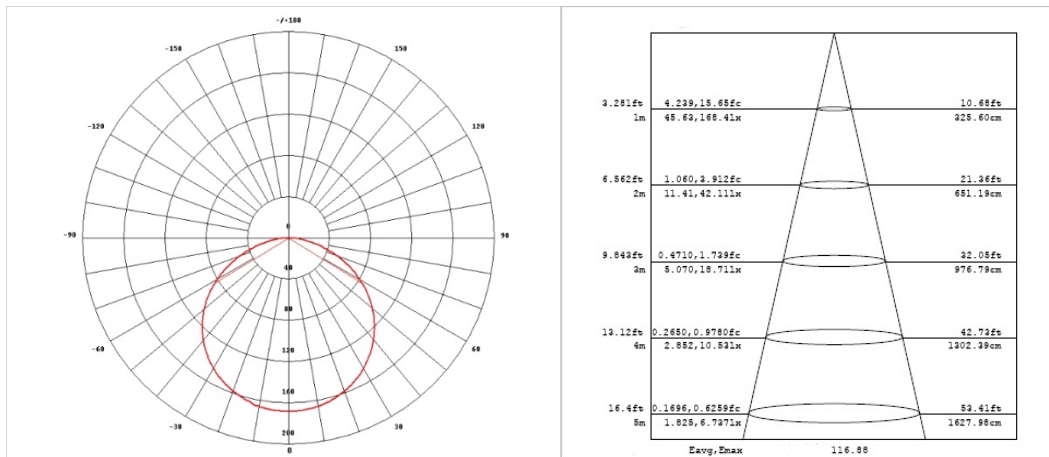
Light Distribution/Iso-illuminance Diagram:



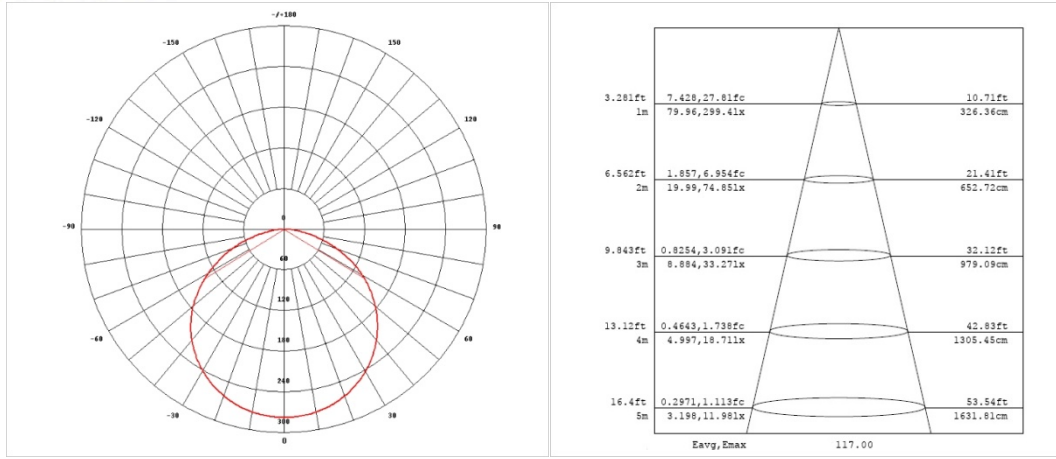
RD0860TA-B/RD0860T



RD08COTA-B/RD08COT



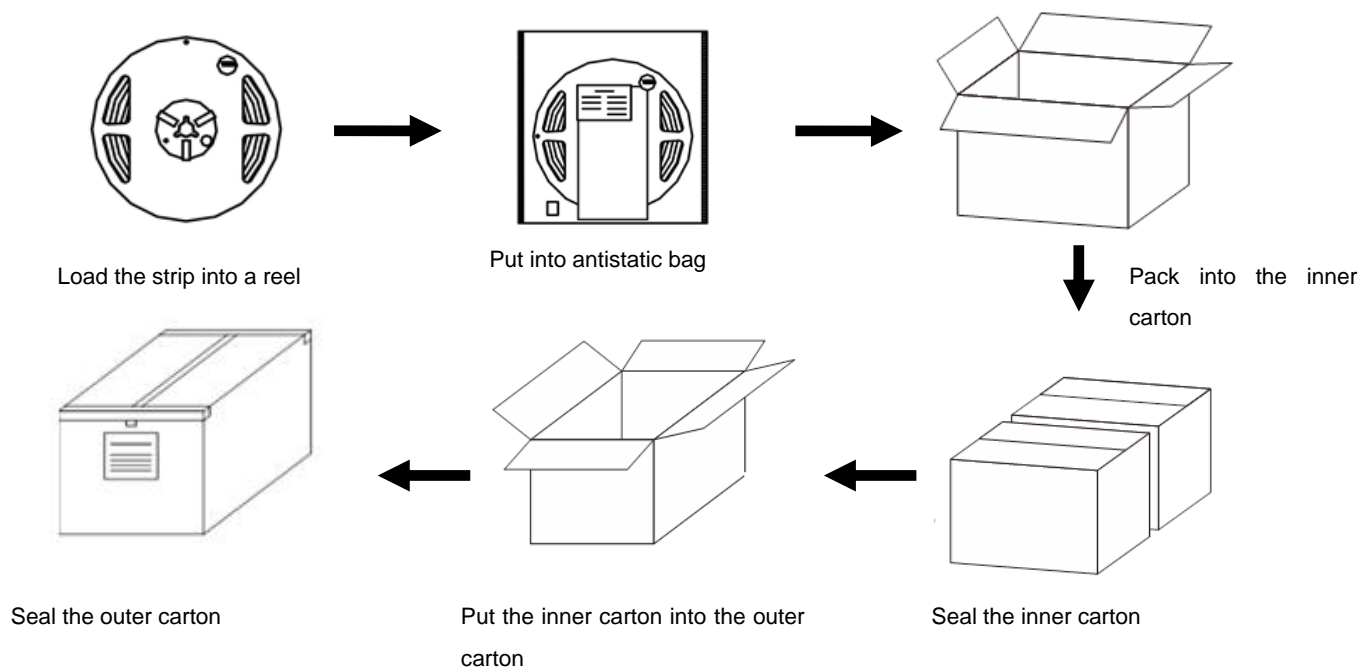
RD0030TA-A/RD0030T



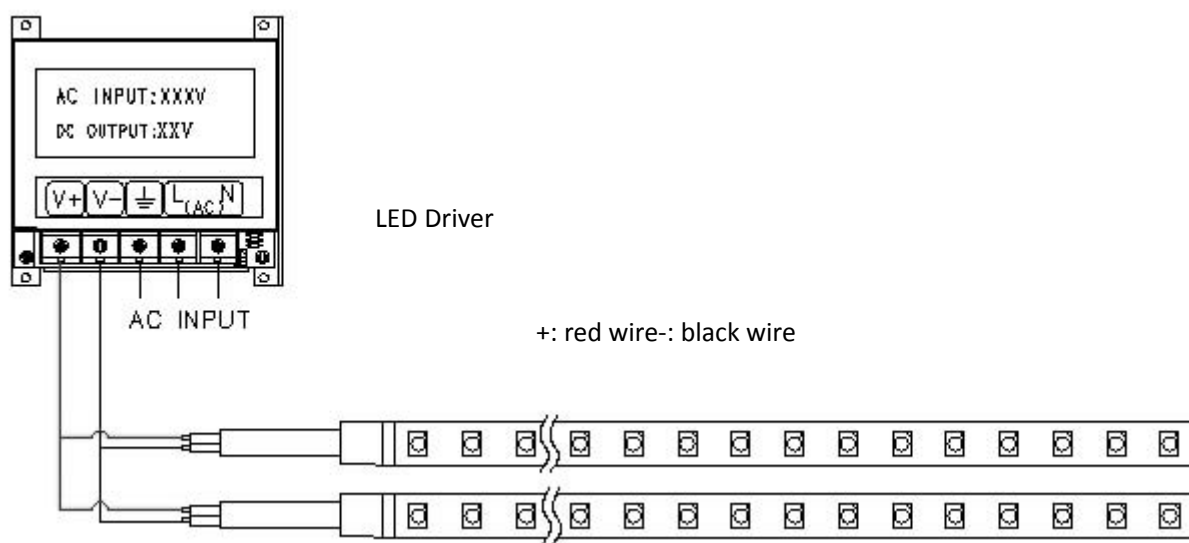
RD0060TA-A/RD0060T

### Packaging Information:

P/N	Qty (m/reel)	Qty (m/carton)	Total Qty (m)	Total weight		Outer carton size					
						length		width		height	
				(Kg)	(lb)	(mm)	(inch)	(mm)	(inch)	(mm)	(inch)
RD0860TA-B	5	100	200	4.0	8.8	398	15.66	256	10.07	238	9.37
RD0860TC-B	5	100	200	4.0	8.8	398	15.66	256	10.07	238	9.37
RD08C0TA-B	5	100	200	4.2	9.24	398	15.66	256	10.07	238	9.37
RD08C0TC-B	5	100	200	4.2	9.24	398	15.66	256	10.07	238	9.37
RD0030TA-A	5	75	150	3.8	8.36	398	15.66	256	10.07	238	9.37
RD0030TC-A	5	75	150	3.8	8.36	398	15.66	256	10.07	238	9.37
RD0060TA-A	5	75	150	4.2	9.24	398	15.66	256	10.07	238	9.37
RD0060TC-A	5	75	150	4.2	9.24	398	15.66	256	10.07	238	9.37



### Connection Instruction:



Note: Please connect the '+' and '-' of strips to those of driver output correctly.

### Parts & Tools:

◎ **Product Spare Parts**

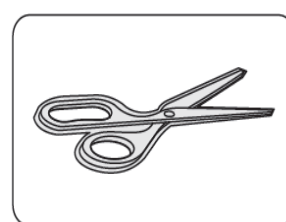
◎ **Self-provided Tools**



LED Strip



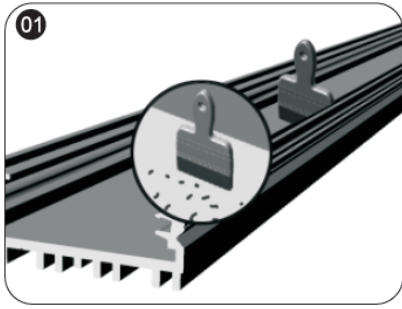
Electrical Drill & Drilling bit



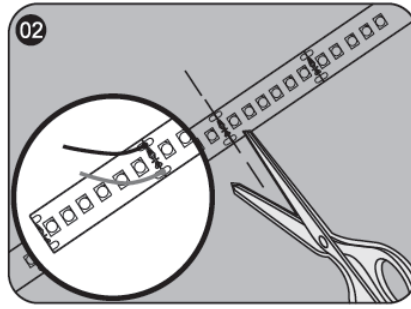
Scissors



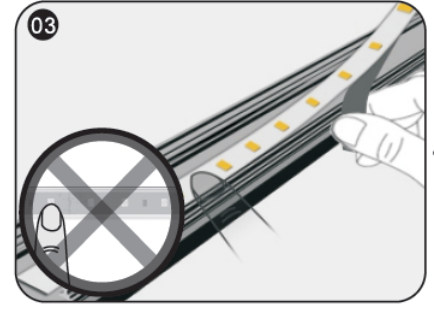
**Installation Steps & Cautions:**



01 Make sure the mounting surface is clean before installation;



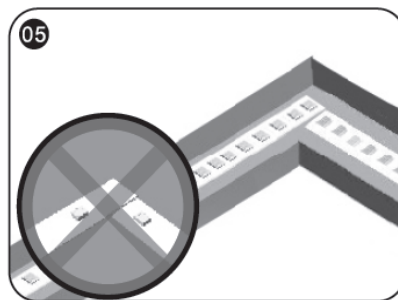
02 Calculate the needed length and cut off the extra length along cutting mark if necessary; if need to add wires, please weld them at the next location with printed mark



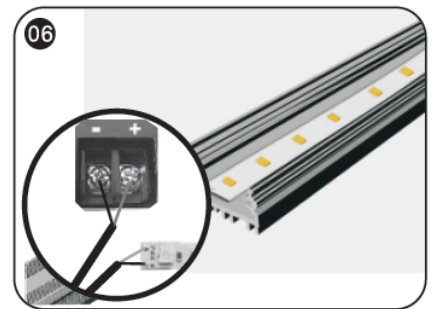
03 While sticking strips, peel off the release paper of the tape step by step. Don't peel off all release paper at a time to avoid getting your strip in a mess.  
△Notes: No pressing the bead!



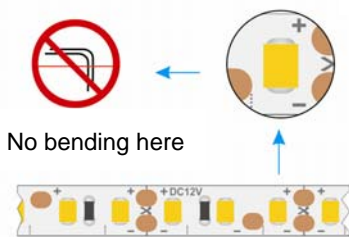
04 Stick Mylar tape to isolate the cutting position from the bottom of profile inner slot to avoid short-circuit;



05 The installation at the corner is shown as the above figure.  
△Notes: No bending it into right angle; No twisting it to stick on the mounting surface.

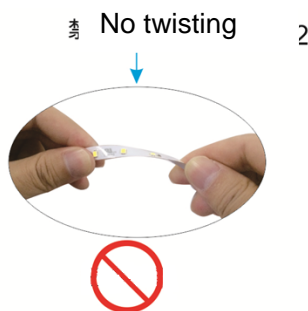


06 Connect strip wires to the output terminal of power supply, and dispose with waterproof, insulation, short-circuit and anti-corrosion protection at both the wire joints and the cut section of your strip (if any).

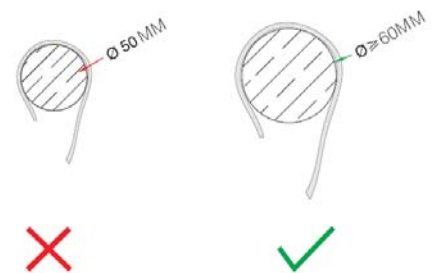


No bending here

07 No bending the strip at the position of LED



08 No twisting the strip



09 No winding an object with a diameter <5cm.

**Troubleshooting:**

Malfunctions	Possible Causes	Solutions
All LEDs don't work	1. The power supply did not connect to power grid.	Power on
	2. No electricity due to short-circuit of external power supply.	Remove the malfunction caused by short-circuit, power on again.
	3. The wires of strips connect to power supply output reversely.	Check the connecting and ensure the wires are connected correctly.
Part of LEDs don't work	1. Part of power supplies do not have output.	Check the power supply system.
	2. Part of wires of strips have malfunction.	
	3. Particular modules connected reversely.	Correct connection
Brightness of LEDs is weak or uneven	1. Overloaded power supply;	Replace it with higher power supply
	2. The power loss of power circuit is huge or the power loss of each circuit existing big difference.	Ensure working voltage of strips is within $\pm 5\%V$ of rated voltage. 1. Shorten the length of wires between the first strip and power supply or replaced with wires with bigger diameter; 2. Ensure the cascading qty of string is less than or equal to the allowed maximum cascading qty, and each strip cascading qty is well-balanced.
	3. Exceed in qty of strips in series	Lessen the cascading qty for strip and ensure the qty for each electrical circuit is within the maximum cascading qty.
LEDs are blinking	1. Poor contacted in the joints.	Find out and tackle malfunction immediately.
	2. Failures in power supply.	Power on

**Declaration:**

- ⊙ If the external flexible cable of light box is damaged, please replace it by its manufacturer or its service agent or qualified person to avoid a hazard.
- ⊙ The specific installation and cautions please refer to the user manual.
- ⊙ The given data in this specification is based on our standard product. There may be existed slight difference compared with actual products.
- ⊙ All Illustrations in this specification are for reference only.
- ⊙ This product is subject to change or modify without prior notice.
- ⊙ RISHANG OPTOELECTRONICS CO., LTD reserves the right of final explanation for this specification.

<End>

**Rishang Optoelectronics Co., Ltd**(stock code: 002654)

Add: Block 2, Hongfajiateli High-Tech. Park Tangtou Ave., Shiyan, Bao'an Shenzhen Guangdong, 518108, China.

Tell: +86-755-33258896 E-mail: info@ledlamps.com.cn

Website: [www.ledlamps.com.cn](http://www.ledlamps.com.cn)

Website



WeChat Account

