

Specification

Prepared	Checked	Approved	Accepted	Confirmed	Approved

CE	RoHS	2835 SMD	30/60/120 LEDS/M	LED Strip	DC 12/24V	IP 68	3 Years
-----------	-------------	--------------------	----------------------------	----------------------------	----------------------------	------------------------	-------------------

Model: ○ RDA060TA-B, RDA060TC-B, RDA0C0TA-B, RDA0C0TC-B, RDA230TC-A, RDA260TA-A, RDA260TC-A

5000*10*4.5mm 300pcs 2835 SMD LEDs, silica gel solid extrusion with high efficiency series, 12Vdc constant voltage, flexible LED strip
 5000*10*4.5mm 300pcs 2835 SMD LEDs, silica gel solid extrusion with high efficiency series, 24Vdc constant voltage, flexible LED strip
 5000*10*4.5mm 600pcs 2835 SMD LEDs, silica gel solid extrusion with high efficiency series, 12Vdc constant voltage, flexible LED strip
 5000*10*4.5mm 600pcs 2835 SMD LEDs, silica gel solid extrusion with high efficiency series, 24Vdc constant voltage, flexible LED strip
 5000*12*4.5mm 150pcs 2835 SMD LEDs, silica gel solid extrusion with high efficiency series, 24Vdc constant voltage, flexible LED strip
 5000*12*4.5mm 300pcs 2835 SMD LEDs, silica gel solid extrusion with high efficiency series, 12Vdc constant voltage, flexible LED strip
 5000*12*4.5mm 300pcs 2835 SMD LEDs, silica gel solid extrusion with high efficiency series, 24Vdc constant voltage, flexible LED strip

Picture:



Features:

- Adopt 2835 SMD LEDs with high strength, high reliability;
- ERP color standard, one bin only, with good color consistency;
- Good oxidation resistance by silver-plated pad;
- Engineering pad design, easy soldering;
- CE、RoHS compliant, guaranteed quality.

Applications:

- Suitable for hotel, shopping mall, home, cabinet, show frame, etc. as main lighting, indirect lighting, cove lighting, contour lighting, decorative lighting, etc.

Warranty:

- 3 years or 13,000 hours, whichever comes first.

Optical and Electrical Parameters:

P/N	LED Color	CCT (K)	CRI	SDCM	Beam Angle (°)	Luminous Flux (lm)	Luminous Efficacy (lm/W)	Working voltage (VDC)	Working current(mA)		Power(w)	
									1m[39 .37in]	5m[196 .85in]	1m[39 .37in]	5m[196 .85in]
RDA060TA-B	White	1800	≥80	≤5	≥115	366	61	12	500	1830	6	22
RDA060TA-B	White	2200	≥80	≤5	≥115	482	80	12	500	1830	6	22
RDA060TA-B	White	2400	≥80	≤5	≥115	577	96	12	500	1830	6	22
RDA060TA-B	White	2700	≥80	≤5	≥115	495	83	12	500	1830	6	22
RDA060TA-B	White	3000	≥80	≤5	≥115	450	75	12	500	1830	6	22
RDA060TA-B	White	4000	≥80	≤5	≥115	490	82	12	500	1830	6	22
RDA060TA-B	White	5000	≥80	≤5	≥115	501	84	12	500	1830	6	22
RDA060TA-B	White	6500	≥80	≤5	≥115	444	74	12	500	1830	6	22
RDA060TC-B	White	1800	≥80	≤5	≥115	366	61	24	250	1000	6	24

RDA060TC-B	White	2200	≥80	≤5	≥115	482	80	24	250	1000	6	24
RDA060TC-B	White	2400	≥80	≤5	≥115	577	96	24	250	1000	6	24
RDA060TC-B	White	2700	≥80	≤5	≥115	495	83	24	250	1000	6	24
RDA060TC-B	White	3000	≥80	≤5	≥115	450	75	24	250	1000	6	24
RDA060TC-B	White	4000	≥80	≤5	≥115	490	82	24	250	1000	6	24
RDA060TC-B	White	5000	≥80	≤5	≥115	501	84	24	250	1000	6	24
RDA060TC-B	White	6500	≥80	≤5	≥115	444	74	24	250	1000	6	24
RDA0C0TA-B	White	1800	≥80	≤5	≥115	541	63	12	720	2830	8.6	34
RDA0C0TA-B	White	2200	≥80	≤5	≥115	712	83	12	720	2830	8.6	34
RDA0C0TA-B	White	2400	≥80	≤5	≥115	845	98	12	720	2830	8.6	34
RDA0C0TA-B	White	2700	≥80	≤5	≥115	730	85	12	720	2830	8.6	34
RDA0C0TA-B	White	3000	≥80	≤5	≥115	693	81	12	720	2830	8.6	34
RDA0C0TA-B	White	4000	≥80	≤5	≥115	721	84	12	720	2830	8.6	34
RDA0C0TA-B	White	5000	≥80	≤5	≥115	737	86	12	720	2830	8.6	34
RDA0C0TA-B	White	6500	≥80	≤5	≥115	652	76	12	720	2830	8.6	34
RDA0C0TC-B	White	1800	≥80	≤5	≥115	541	63	24	360	1500	8.6	36
RDA0C0TC-B	White	2200	≥80	≤5	≥115	712	83	24	360	1500	8.6	36
RDA0C0TC-B	White	2400	≥80	≤5	≥115	845	98	24	360	1500	8.6	36
RDA0C0TC-B	White	2700	≥80	≤5	≥115	730	85	24	360	1500	8.6	36
RDA0C0TC-B	White	3000	≥80	≤5	≥115	693	81	24	360	1500	8.6	36
RDA0C0TC-B	White	4000	≥80	≤5	≥115	721	84	24	360	1500	8.6	36
RDA0C0TC-B	White	5000	≥80	≤5	≥115	737	86	24	360	1500	8.6	36
RDA0C0TC-B	White	6500	≥80	≤5	≥115	652	76	24	360	1500	8.6	36
RDA230TC-A	White	1800	≥80	≤5	≥115	334	46	24	300	1250	7.2	30
RDA230TC-A	White	2200	≥80	≤5	≥115	439	61	24	300	1250	7.2	30
RDA230TC-A	White	2400	≥80	≤5	≥115	524	73	24	300	1250	7.2	30
RDA230TC-A	White	2700	≥80	≤5	≥115	450	63	24	300	1250	7.2	30
RDA230TC-A	White	3000	≥80	≤5	≥115	428	59	24	300	1250	7.2	30
RDA230TC-A	White	4000	≥80	≤5	≥115	445	62	24	300	1250	7.2	30

RDA230TC-A	White	5000	≥80	≤5	≥115	455	63	24	300	1250	7.2	30
RDA230TC-A	White	6500	≥80	≤5	≥115	403	56	24	300	1250	7.2	30
RDA260TA-A	White	1800	≥80	≤5	≥115	668	56	12	1000	3830	12	46
RDA260TA-A	White	2200	≥80	≤5	≥115	877	73	12	1000	3830	12	46
RDA260TA-A	White	2400	≥80	≤5	≥115	1047	87	12	1000	3830	12	46
RDA260TA-A	White	2700	≥80	≤5	≥115	900	75	12	1000	3830	12	46
RDA260TA-A	White	3000	≥80	≤5	≥115	856	71	12	1000	3830	12	46
RDA260TA-A	White	4000	≥80	≤5	≥115	890	74	12	1000	3830	12	46
RDA260TA-A	White	5000	≥80	≤5	≥115	910	76	12	1000	3830	12	46
RDA260TA-A	White	6500	≥80	≤5	≥115	805	67	12	1000	3830	12	46
RDA260TC-A	White	1800	≥80	≤5	≥115	668	56	24	500	2000	12	48
RDA260TC-A	White	2200	≥80	≤5	≥115	877	73	24	500	2000	12	48
RDA260TC-A	White	2400	≥80	≤5	≥115	1047	87	24	500	2000	12	48
RDA260TC-A	White	2700	≥80	≤5	≥115	900	75	24	500	2000	12	48
RDA260TC-A	White	3000	≥80	≤5	≥115	856	71	24	500	2000	12	48
RDA260TC-A	White	4000	≥80	≤5	≥115	890	74	24	500	2000	12	48
RDA260TC-A	White	5000	≥80	≤5	≥115	910	76	24	500	2000	12	48
RDA260TC-A	White	6500	≥80	≤5	≥115	805	67	24	500	2000	12	48

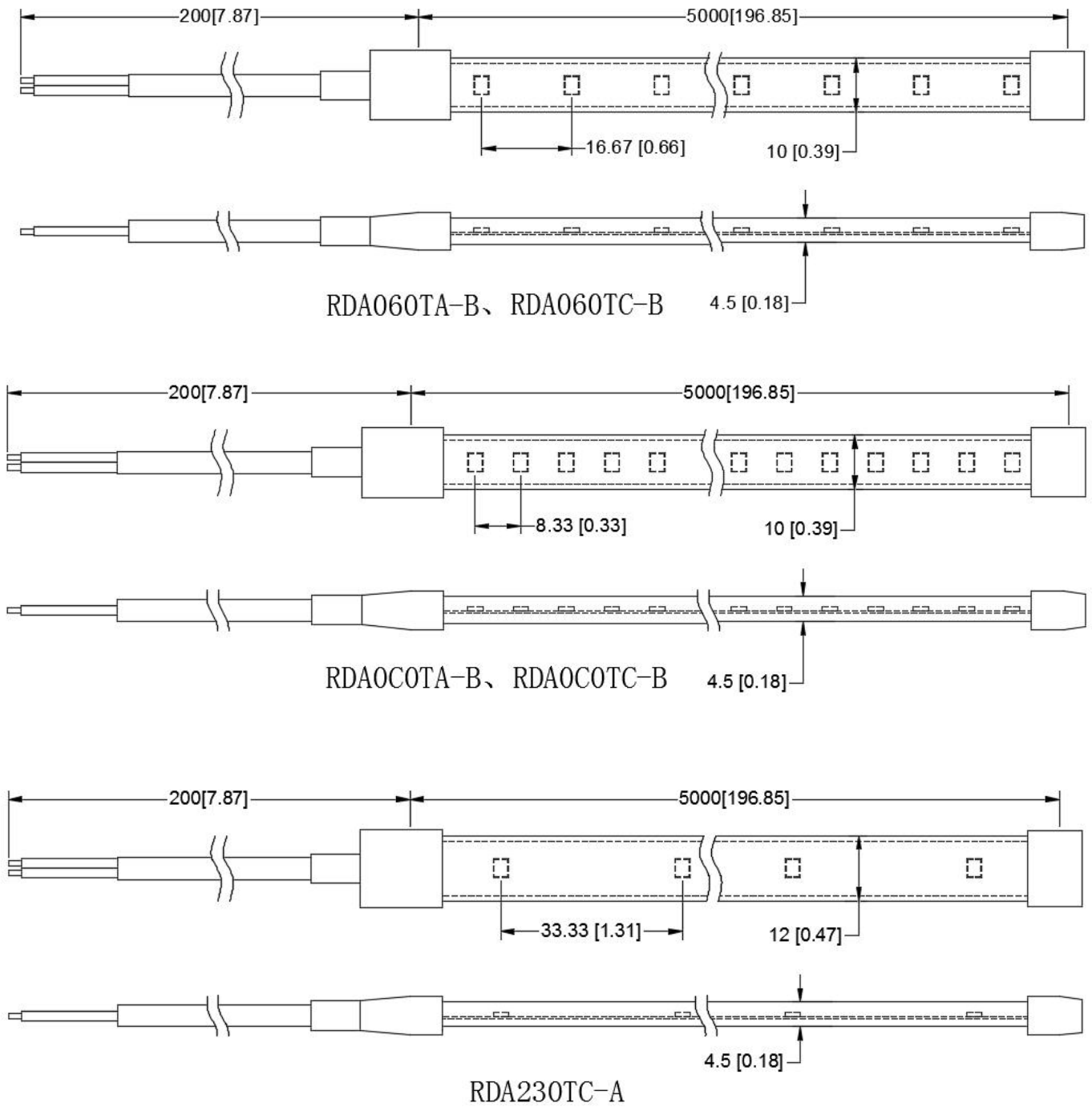
Others:

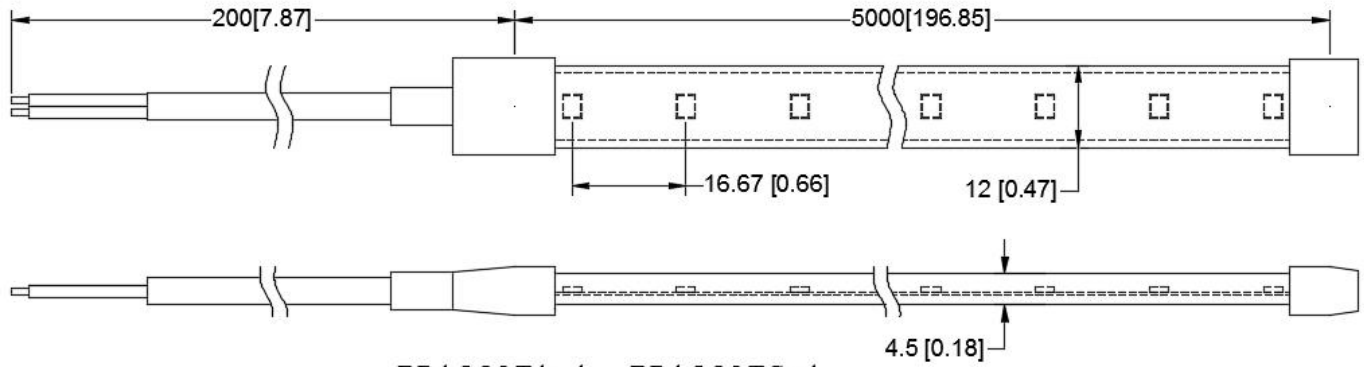
P/N	IP Grade	Operating Temp		Storage Temp		Standard length		Max. cascading length		LED Qty (pcs/m)	Weight	
		(°C)	(°F)	(°C)	(°F)	(m)	(inch)	(m)	(inch)		(g/m)	(lb/inch)
RDA060TA-B	IP68	-25~+60	-13~+140	-25~+70	-13~+158	5	196.85	5	196.85	60	/	/
RDA060TC-B	IP68	-25~+60	-13~+140	-25~+70	-13~+158	5	196.85	5	196.85	60	/	/
RDA0C0TA-B	IP68	-25~+60	-13~+140	-25~+70	-13~+158	5	196.85	5	196.85	120	/	/
RDA0C0TC-B	IP68	-25~+60	-13~+140	-25~+70	-13~+158	5	196.85	5	196.85	120	/	/
RDA230TC-A	IP68	-25~+60	-13~+140	-25~+70	-13~+158	5	196.85	5	196.85	30	/	/
RDA260TA-A	IP68	-25~+60	-13~+140	-25~+70	-13~+158	5	196.85	5	196.85	60	/	/
RDA260TC-A	IP68	-25~+60	-13~+140	-25~+70	-13~+158	5	196.85	5	196.85	60	/	/

- Notes:
- (1) Testing environment temperature: $25\pm 2^{\circ}\text{C}$ [$77\pm 3.6^{\circ}\text{F}$]
 - (2) The actual data of each single product may differ from above typical data which are subject to change without prior notice
 - (3) The above “-” means the parameters are not required temporarily

Profile Drawings:

Unit: mm[inch]





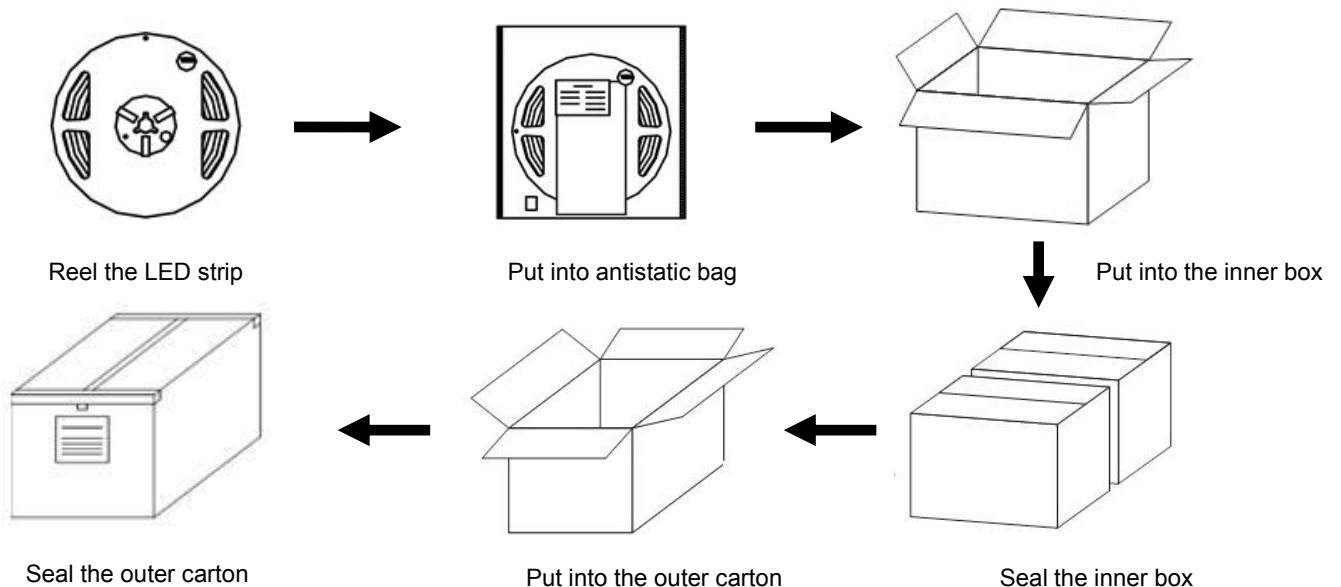
RDA260TA-A、RDA260TC-A

Packaging Information:

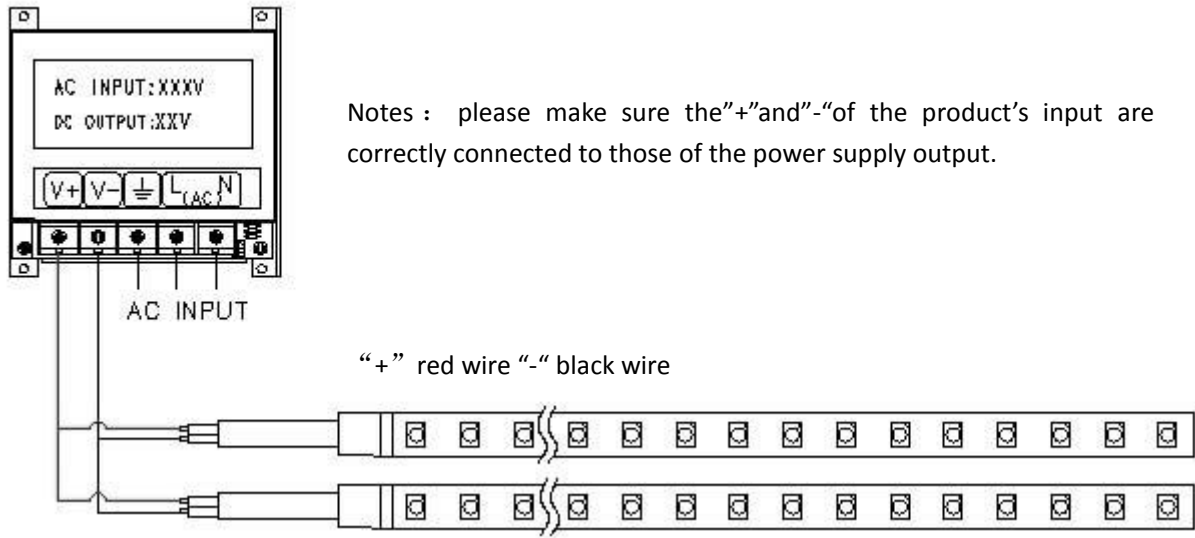
P/N	Qty (m/reel)	Qty (m/carton)	Total Qty (m)	Total weight		Outer carton size					
				(Kg)	(lb)	length		width		height	
						(mm)	(inch)	(mm)	(inch)	(mm)	(inch)
RDA060TA-B	5	75	150	13.0	28.6	458	18.03	256	10.07	268	10.55
RDA060TC-B	5	75	150	13.0	28.6	458	18.03	256	10.07	268	10.55
RDA0C0TA-B	5	75	150	13.1	28.82	458	18.03	256	10.07	268	10.55
RDA0C0TC-B	5	75	150	13.1	28.82	458	18.03	256	10.07	268	10.55
RDA230TC-A	5	60	120	12.3	27.06	458	18.03	256	10.07	268	10.55
RDA260TA-A	5	60	120	12.4	27.28	458	18.03	256	10.07	268	10.55
RDA260TC-A	5	60	120	12.4	27.28	458	18.03	256	10.07	268	10.55

Notes: the actual packed quantity and weight might differ from the above data in other packaging ways. Thus please refer to the actual product for detailed information.

Packaging Diagram :



Connection Instruction:



Parts & Tools:

Product Spare Parts

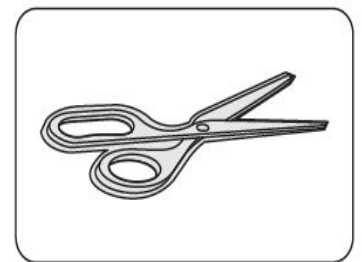


LED Strip

Self-provided Tools

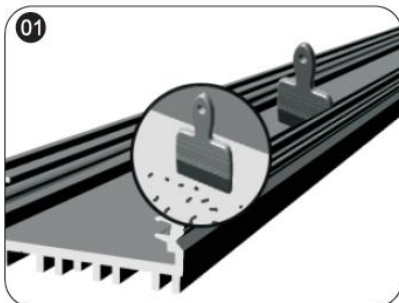


Electronic drill & Drilling bit

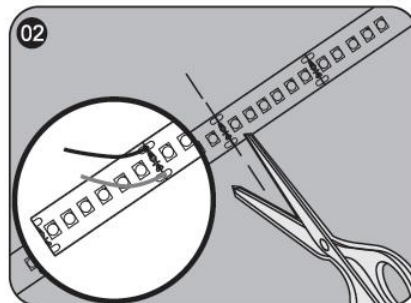


Scissors

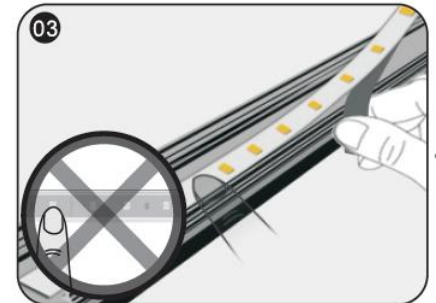
Installation Steps & Cautions:



01 Make sure the mounting surface is clean before installation;



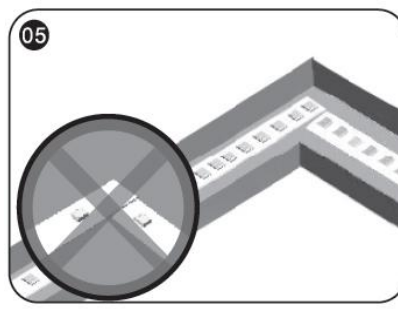
02 Calculate the needed length and cut off the extra length along cutting mark if necessary; if need to add wires, please weld them at the next location with printed mark.



03 while sticking strips, peel off the release paper of the tape step by step. Don't peel off all release paper at a time to avoid getting your strip in a mess.



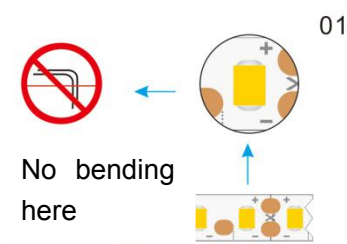
- Stick Mylar tape to isolate the cutting position from the bottom of profile inner slot to avoid short-circuit;



- The installation at the corner is shown as the above figure.
- Notes: No bending it into right angle; No twisting it to stick on the mounting surface.



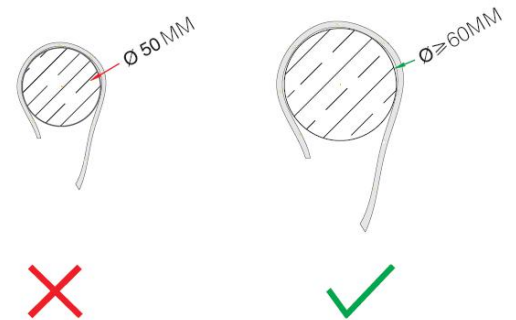
- Connect strip wires to the output terminal of power supply, and dispose with waterproof, insulation, short-circuit and anti-corrosion protection at both the wire joints and the cut section of your strip (if any).



- No bend the strip at the position of LED



- No twisting the strip



- No winding an object with a diameter <5cm.

Troubleshooting:

Malfunctions	Possible Causes	Solutions
All LEDs don't work	1. The power supply did not connect to power grid.	Power on
	2. No electricity due to short-circuit of external power supply.	Remove the malfunction caused by short-circuit, power on again.
	3. The wires of strip light connect to power supply output reversely.	Check the connecting and ensure the wires are connected correctly.
Part of LEDs don't work	1. Part of power supplies do not have output.	Check the power supply system.
	2. Part of wires of strip light have malfunction.	
	3. Particular strip light connected reversely.	Correct connection
Brightness of LEDs is	1. Overloaded power supply;	Replace it with higher power supply

weak or uneven	2. The power loss of power circuit is huge or the power loss of each circuit existing big difference.	Ensure working voltage of strips is within±5%V of rated voltage. 1. Shorten the length of wires between the first strip and power supply or replaced with wires with bigger diameter; 2. Ensure the cascading qty of string is less than or equal to the allowed maximum cascading qty, and each strip cascading qty is well-balanced.
	3. Exceed in qty of strip light in series	Lessen the cascading qty for strip and ensure the qty for each electrical circuit is within the maximum cascading qty.
LEDs are blinking	1. Poor contacted in the joints.	Find out and tackle malfunction immediately.
	2. Failures in power supply.	Replace power supply.

Declaration:

- ⊙ If the external flexible cable of light box is damaged, please replace it by its manufacturer or its service agent or qualified person to avoid a hazard.
- ⊙ The specific installation and cautions please refer to the user manual.
- ⊙ The given data in this specification is based on our standard product. There may be existed slight difference compared with actual products.
- ⊙ All Illustrations in this specification are for reference only.
- ⊙ This product is subject to change or modify without prior notice.
- ⊙ RISHANG OPTOELECTRONICS CO., LTD reserves the right of final explanation for this specification.

<End>

Rishang Optoelectronics Co., Ltd (stock code: 002654)

Add: Block 2, Hongfa jiateli High-Tech. Park Tangtou Ave., Shiyan, Bao'an Shenzhen
Guang Dong, 518108, China
Tell: +86-755-36988588 E-mail: info@ledlamps.com.cn
Website: www.ledlamps.com.cn

Website



Wechat Accounts

