

RM0016SP-HHA

The production specification

Prepared	Checked	Approved

Acceptance	Confirm	Approve



Product mode: RM0016SP-HHA

000*10mm,3780 grains of COB bare plate series constant voltage 24V RGBflexible light strip

Product pictures:



Product features:

- ⊙ High-density COB LEDs;
- ⊙ Linear lighting, without light spot, soft and uniform luminance ;
- ⊙ High temperature resistance , long life;
- ⊙ Luminous surface width of $4.0 \pm 0.2\text{mm}$;
- ⊙ UL ,CE , RoHS compliant.

Scope of application:

- ⊙ This product is suitable for indoor use, can be used as decorative lighting, such as KTV, shopping malls, cabinets and other places decoration at the edges or outline, etc.

Product quality assurance:

- ⊙ Warranty 3 years or 13000 hours, first shall prevail.

Characteristics:

P/N	LED Color	CCT (K) WL (nm)	CRI	SDCM	Beam Angle (°)	Luminous Flux (lm/m)	Luminous Efficacy (lm/W)	Working voltage (VDC)	Working current (mA)		Power (W)	
									1m [39.37in]	5m [196.85in]	1m [39.37in]	5m [196.85in]
RM0016SP-H HA	Red	620-630	--	--	≥ 134	140	35	24	160	800	4	16
	Green	520-525	--	--	≥ 134	380	95	24	170	850	4	16
	Blue	455-460	--	--	≥ 134	64	16	24	170	850	4	16

Other parameters are:

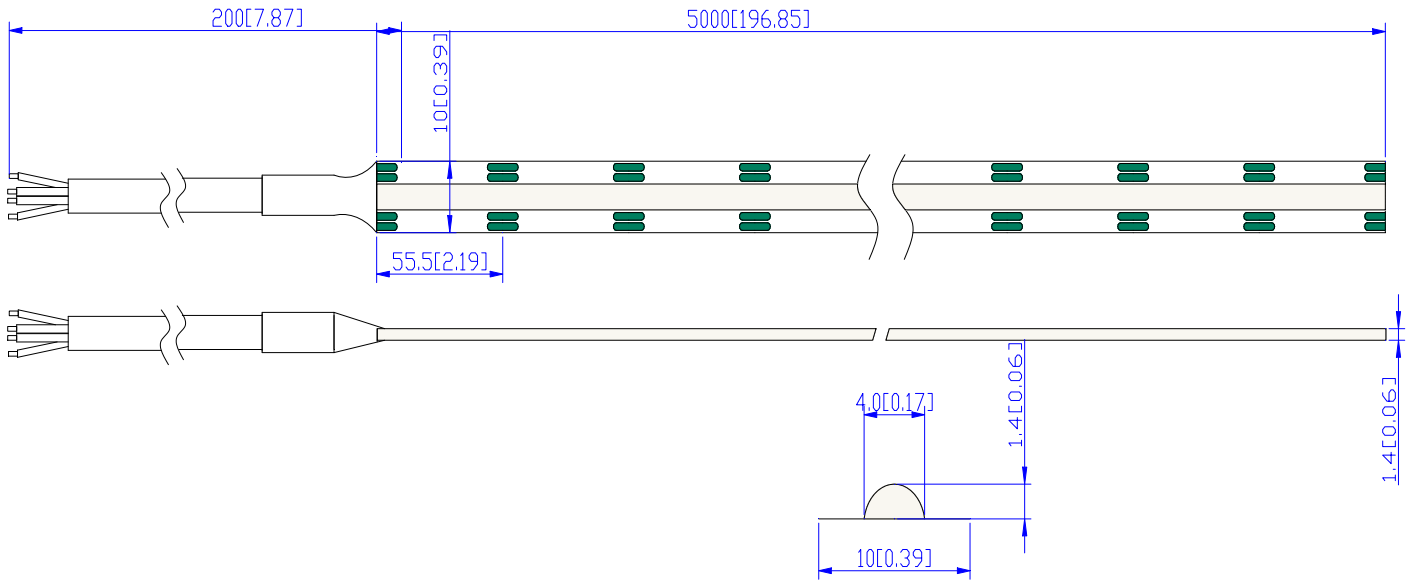
P/N	IP Grade	Operating Temp		Storage Temp		Standard length		Max. cascading length		Number Of COB (pcs)	Weight	
		(°C)	(°F)	(°C)	(°F)	(m)	(inch)	(m)	(inch)		(g/m)	(lb/m)
RM0016SP-H HA	IP20	-25~ +60	-13~ +140	-25~ +70	-13~ +158	5	196.8	5	196.8	756	/	/

Notes:

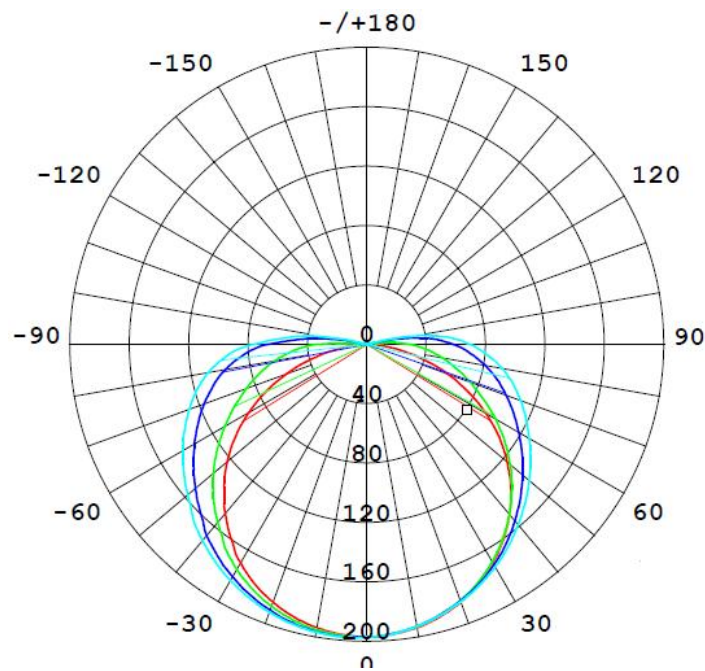
- (1) Testing environment temperature: $25 \pm 2^\circ\text{C}$ [$77 \pm 3.6^\circ\text{F}$];
- (2) The actual data of each single product may differ from above typical data which are subject to change without prior notice;
- (3) Bending diameter $\geq 50\text{mm}$, not suitable for channel letter.
- (4) The above "--" means the parameters are not required temporarily.

Shape dimension figure:

unit : mm[inch]



Typical Spectral Distribution:



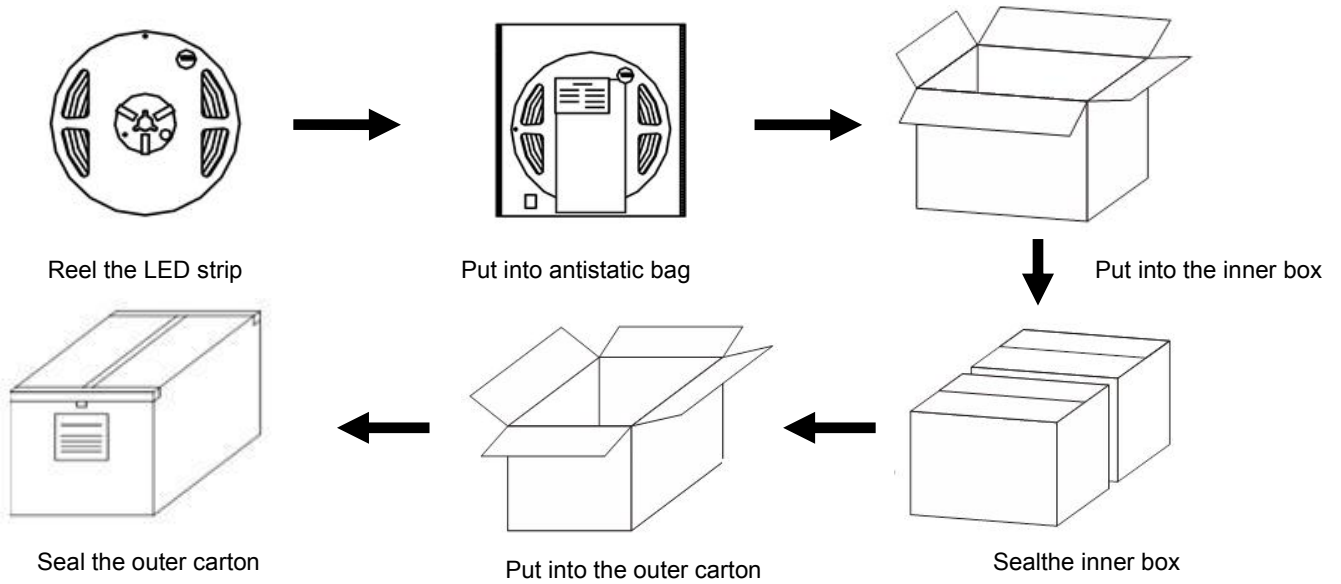
The average beam Angle(50%):135.0°

Packaging Information:

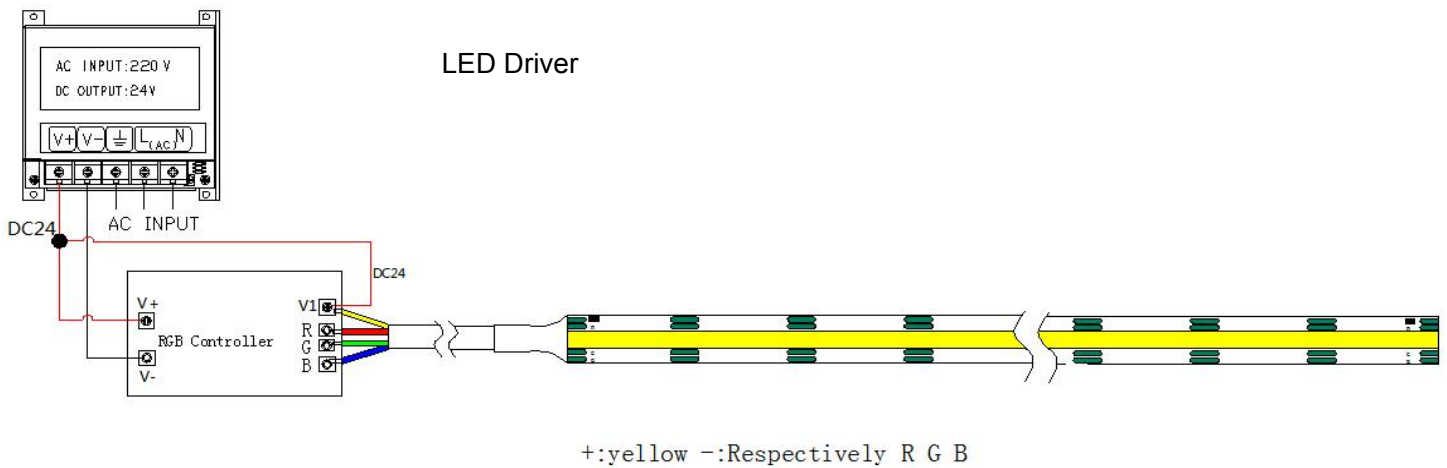
P/N	Qty (m/reel)	Qty (m/carton)	Total Qty (m)	Total weight		Outer carton size					
				(kg)	(lb)	length		width		height	
				(mm)	(inch)	(mm)	(inch)	(mm)	(inch)	(mm)	(inch)
RM0016SP-HHA	5	100	500	12.5	27.5	425	16.7	325	12.8	325	12.8

Notes: Above qty and weight of packing is only for the packing shown in the picture, which might be different from other packing modes, thus for actual qty and weight please refer to actual samples.

Packaging Diagram:



Connection Instruction:



Product parts and tools required:

- Product components

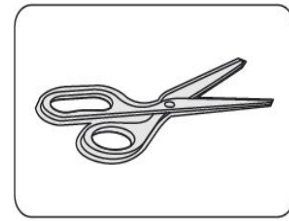


LED Strip

- Bring your own tools and objects

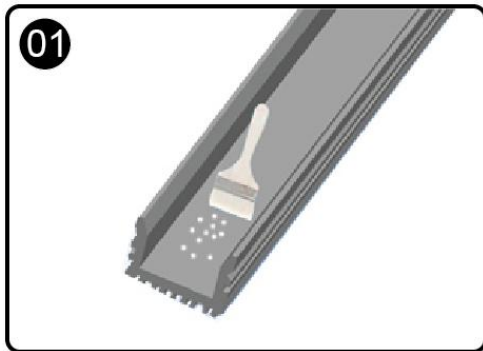


Electrical Drill & Drilling bit



Scissors

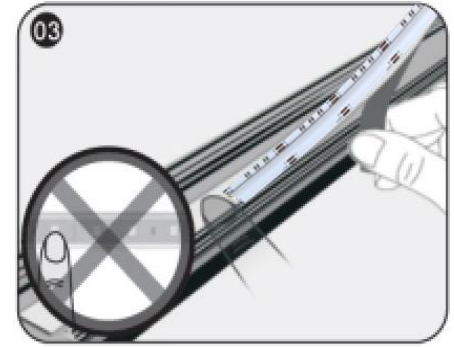
Installation steps and matters needing attention:



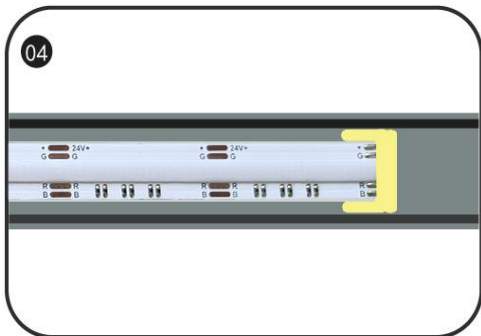
- Clean the mounting surface



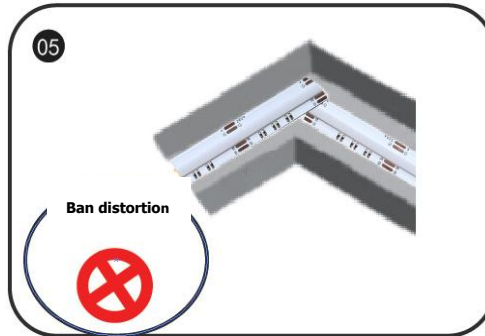
- Calculate the needed length and cut off the extra length along cutting mark if necessary; if need to add wires, please weld them at the next location with printed mark.



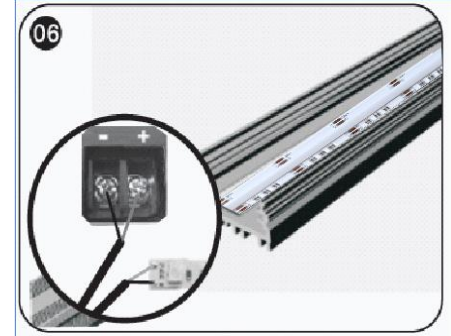
- While sticking strips, peel off the release paper of the tape step by step. Don't peel off all release paper at one time to avoid getting your strip in a mess.



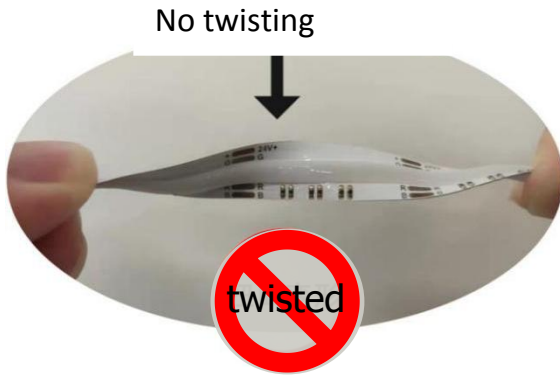
- Stick Mylar tape to isolate the cutting position from the bottom of profile inner slot to avoid short-circuit;



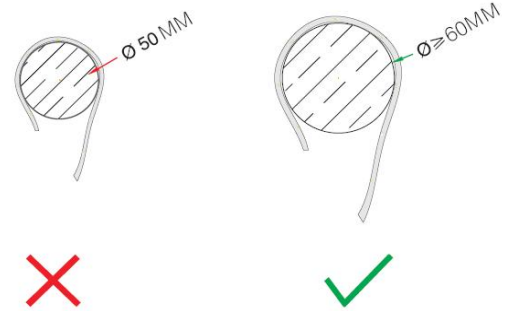
- The installation at the corner is shown as the above figure.
- △ Notes: No bending it into right angle; No twisting it to stick on the mounting surface.



- Connect strip wires to the output terminal of power supply, and dispose with waterproof, insulation, short-circuit and anti-corrosion protection at both the wire joints and the cut section of your strip (if any)



⊙ No twisting the strip



⊙ No winding an object with a diameter <5cm

Common faults and the method of screening products:

Malfunctions	Possible Causes	Solutions
All LEDs don't work	1、 Mains no power supply	Power on
	2、 After the switch power supply output open circuit or short circuit power supply automatic protection	Remove the malfunction caused by short-circuit, power on again.
	3、 The power supply reverse polarity	Check the connecting and ensure the wires are connected correctly.
Part of LEDs don' t work	1、 Part of switch power supply, no power supply	Check the power supply system.
	2、 Part of the lamp with power lines to make mistakes	
	3、 Part of the lamp with reverse polarity	Correct connection
Brightness of LEDs is weak or uneven	1、 The power load overload	Replace it with higher power supply
	2、 Switching power supply line loss is too big or bigger difference of the line loss	Ensure working voltage of strips is within $\pm 5\%V$ of rated voltage. (1. Shorten the length of wires between the first strip and power supply or replaced with wires with bigger diameter; 2. Ensure the cascading qty of string is less than or equal to the allowed maximum cascading qty, and each strip cascading qty is well-balanced.)
	3、 Lamp with concatenated quantity too much	Lessen the cascading qty for strip and ensure the qty for each electrical circuit is within the maximum cascading qty.
LEDs are blinking	1、 Wiring contacts adverse	Find out and tackle malfunction immediately.
	2、 Switching power supply failure	Replace power supply.

Statement :

- ⊙ If the external flexible cable of light box is damaged, please replace it by its manufacturer or its service agent or qualified person to avoid a hazard.
- ⊙ The specific installation and cautions please refer to the user manual.
- ⊙ The given data in this specification is based on our standard product. There may be existed slight difference compared with actual products.

- ⊙ All Illustrations in this specification are for reference only.
- ⊙ This product is subject to change or modify without prior notice.
- ⊙ RISHANG OPTOELECTRONICS CO., LTD reserves the right of final explanation for this specification.

End

Rishang Optoelectronics Co.,Ltd (Ticker: 002654)

address: Building 2, Hongfajiateli high-tech Park, Shixin community,
Shiyan Street, Baoan District, Shenzhen

tel: +86-755-36988588 e-mail: info@ledlamps.com.cn

Web: www.ledlamps.com.cn



office website



WeChat Office
Account

