

# Specification

Prepared	Checked	Approved	Accepted	Confirmed	Approved

<b>CE</b>	RoHS	<b>2835</b> SMD	<b>120</b> LEDS/M	<b>LED</b> Strip	DC 24V	IP <b>20</b>	<b>3</b> Years	<b>ErP</b>
-----------	------	--------------------	----------------------	---------------------	-----------	-----------------	-------------------	------------

**Model:** RV08C0TC-A

5000\*8, 600pcs 2835 SMD LED, bare board series , 24Vdc, constant voltage, LED flex strip

**Figure:**



**Features:**

- ⦿ 2835 SMD LEDs bring high luminous efficacy;
- ⦿ Spectroscopic standard ERP, one BIN only, good color uniformity;
- ⦿ CE, RoHS compliant;
- ⦿ European ErP standards-Class F Energy Efficiency;

**Applications:**

- ⦿ Suitable for hotel, shopping mall, home, cabinet, show frame, etc. as main lighting, indirect lighting, cove lighting, contour lighting, decorative lighting, etc.

**Warranty:**

- ⦿ 3 years or 13,000 hours, whichever comes first.
- ⦿ Lifetime 36,000 hours.

**Optical and Electrical Parameters:**

P/N	LED Color	CCT (K) WL (nm)	CRI	SDCM	Beam Angle (°)	Luminous Flux (lm/m)	Luminous Efficacy (lm/W)	Working voltage (VDC)	Working current (mA)		Power (W/m)	
									1m[3 9.37in]	5m[1 5in]	1m[ 7in]	5m[1 5in]
RV08C0TC-A	White	2700	≥80	≤5	≥115	979	102	24	400	1790	9.6	43
RV08C0TC-A	White	3000	≥80	≤5	≥115	1023	107	24	400	1790	9.6	43
RV08C0TC-A	White	4000	≥80	≤5	≥115	1050	109	24	400	1790	9.6	43
RV08C0TC-A	White	5000	≥80	≤5	≥115	1079	112	24	400	1790	9.6	43
RV08C0TC-A	White	6500	≥80	≤5	≥115	1076	112	24	400	1790	9.6	43

**Others:**

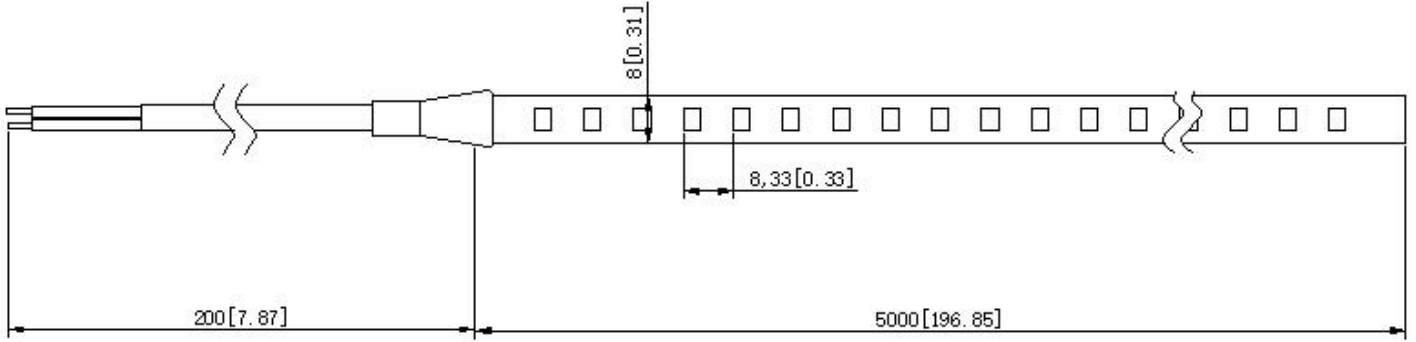
P/N	IP Grade	Operating Temp		Storage Temp		Standard length		Max. cascading length		LED Qty (pcs)	Weight	
		(°C)	(°F)	(°C)	(°F)	(m)	(inch)	(m)	(inch)		(g/m)	(lb/m)
RV08C0TC-A	IP20	-25~ +60	-13~ +140	-25~ +70	-13~ +158	5	196.8	5	196.8	120	16	0.035

Notes:

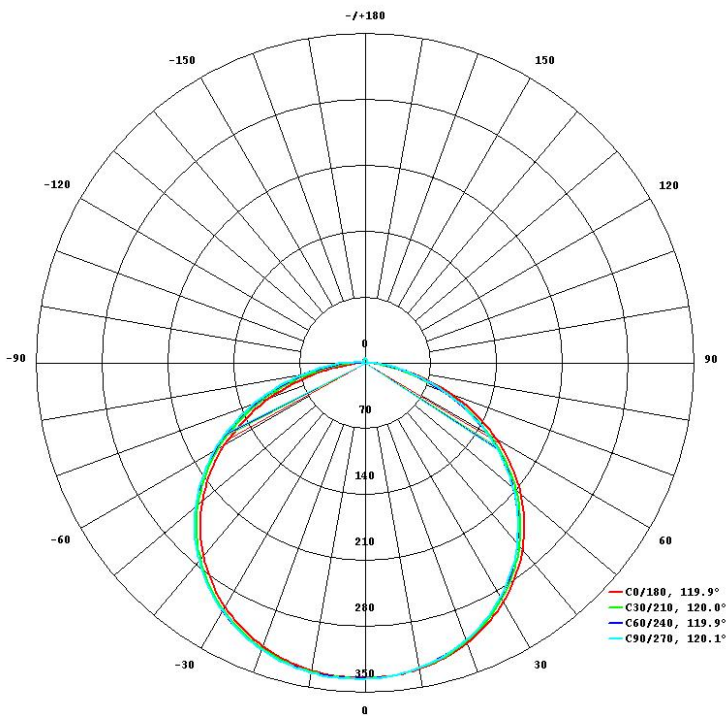
- (1) Testing environment temperature: 25±2°C [77±3.6°F];
- (2) The actual data of each single product may differ from above typical data which are subject to change without prior notice;
- (3) The above "--" means the parameters are not required temporarily

Profile Drawings:

Unit: mm[inch]



Light Distribution/Iso-illuminance Diagram:



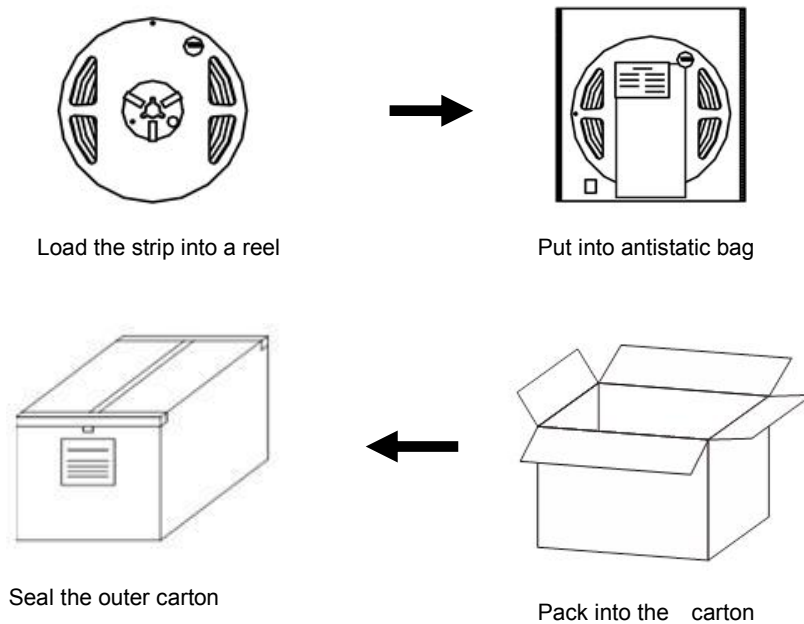
Flux out: 804.1 lm

Height	Eavg, Emax	Angle: 119.88deg	Diameter
3.281ft 1m	7.927, 31.18fc 85.32, 335.6lx		11.34ft 345.57cm
6.562ft 2m	1.982, 7.794fc 21.33, 83.89lx		22.67ft 691.13cm
9.843ft 3m	0.8807, 3.464fc 9.480, 37.29lx		34.01ft 1036.70cm
13.12ft 4m	0.4954, 1.949fc 5.333, 20.97lx		45.35ft 1382.26cm
16.4ft 5m	0.3171, 1.247fc 3.413, 13.42lx		56.69ft 1727.83cm

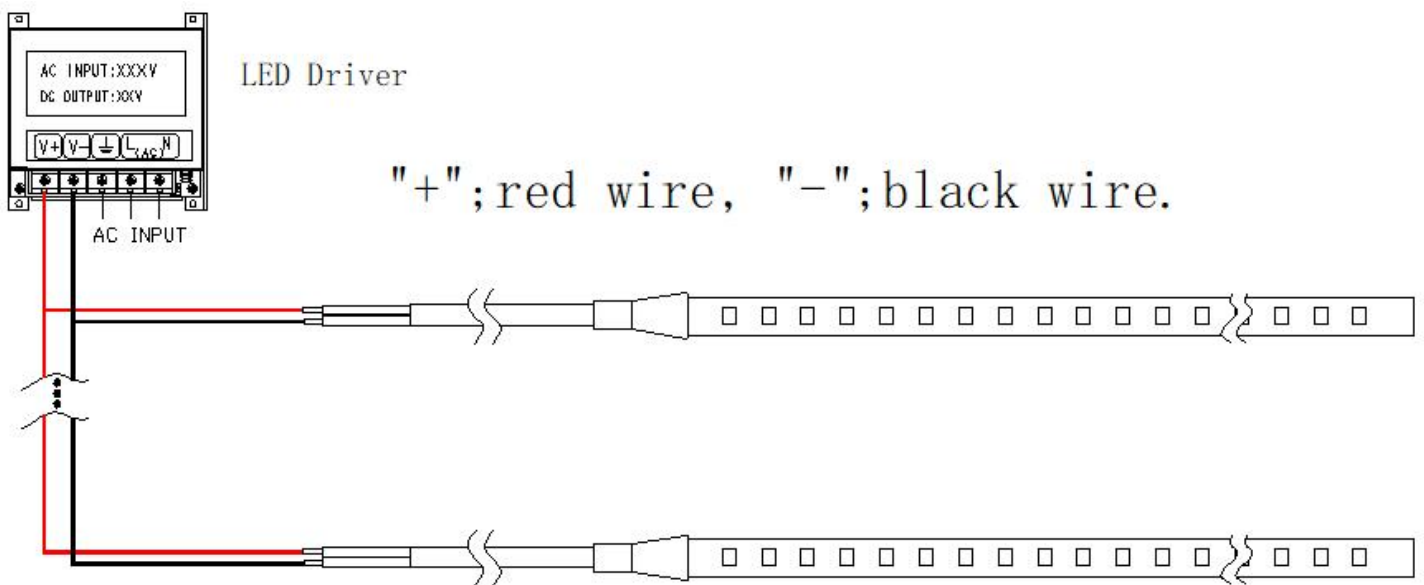
**Packaging Information:**

P/N	Qty (m/reel)	Qty (m/carton)	Total Qty (m)	Total weight		Outer carton					
						length		width		height	
				(Kg)	(lb)	(mm)	(inch)	(mm)	(inch)	(mm)	(inch)
RV08C0TC-A	5	200	200	4.1	9.02	405	15.94	256	10.07	238	9.37

**Packaging Diagram:**



**Connection Instruction:**



Note: Please connect the '+' and '-' of strips to those of driver output correctly.

Parts & Tools:

Product Spare Parts

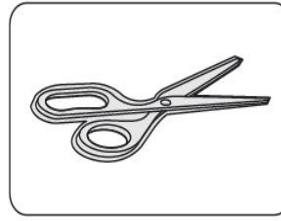


LED Strip

Self-provided Tools

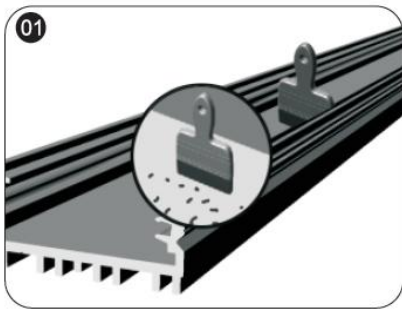


Electrical Drill & Drilling bit

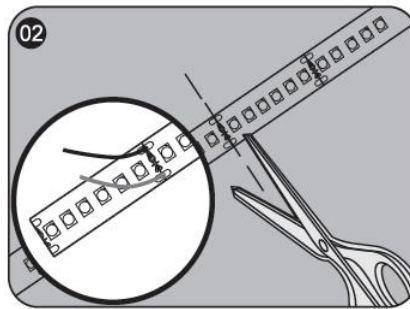


Scissors

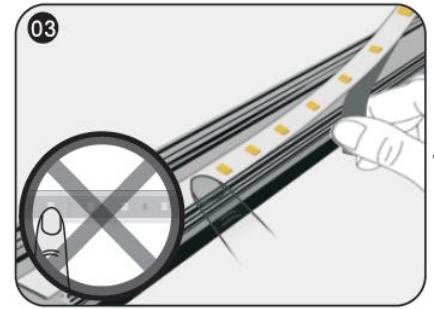
Installation Steps & Cautions:



- Make sure the mounting surface is clean before installation;



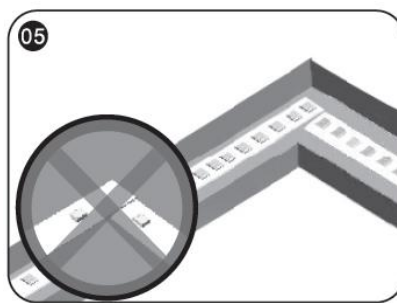
- Calculate the needed length and cut off the extra length along cutting mark if necessary; if need to add wires, please weld them at the next location with printed mark



- While sticking strips, peel off the release paper of the tape step by step. Don't peel off all release paper at a time to avoid getting your strip in a mess.
- △Notes: No pressing the bead!



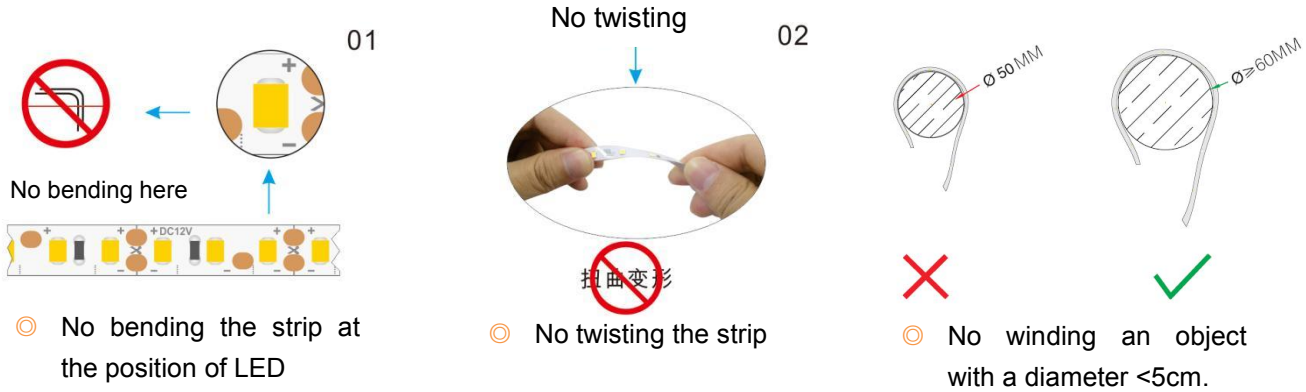
- Stick Mylar tape to isolate the cutting position from the bottom of profile inner slot to avoid short-circuit;



- The installation at the corner is shown as the above figure.
- △ Notes: No bending it into right angle; No twisting it to stick on the mounting surface.



- Connect strip wires to the output terminal of power supply, and dispose with waterproof, insulation, short-circuit and anti-corrosion protection at both the wire joints and the cut section of your strip (if any).



Optional Parts:

Category	Part Name	Figure	Specifications/Description	Article Number	Color	IP Grade	Notes
Snap-fit joints	Snap-fit joints		Snap-fit joints /23.5*4*2mm/QJ-KZ-10 (equipped with screws)	207-076	/	/	/
Terminal Connector	Connector		10mm width, single color, bare board LED strips/ cable-board connector /24.3*14.6*7.7mm	1CN-07-117	/	/	/
	Connector		10mm width, single color, bard board LED strips/board-board connector/19.55*14.6*7.7mm	1CN-07-123	/	/	/
	Connector		Connector /board-cable-board /10mm LED strips /16*12.4*4.5mm/QJ-SL-10BxB-2/	1CN-07-074	Red and Black	IP33	/
	Connector		Connector / cable-board /10mm LED strips /16*12.4*4.5mm/QJ-SL-10XB-2/L=15CM	1CN-07-073	Red and Black	IP33	/
	Connector		Connector / board-board /10mm LED strips /20.6*12.4*4.5mm/QJ-SL-10BB-3/	1CN-07-078	/	/	/
	Connector		Connector /cable-cable /25*6.7*6.65mm/1P/QJ-XC-JXD-D1	1CN-07-065	/	/	/
	Connector		Connector / cable-cable /25*10.6*6.65mm/2P/QJ-XC-JXD-H2	1CN-07-066	/	/	/
	Connector		Connector / cable-cable /25*12.8*6.65mm/1P/QJ-XC-JXD-T1/	1CN-07-067	/	/	/
	Connector		Connector / cable-cable /28.6*16.6*6.65mm/2P/QJ-XC-JXD-T2/	1CN-07-068	/	/	/
	Connector		Connector / cable-cable /22*9.5*6mm/2P/QJ-XC-JXD-D2/	1CN-07-069	/	/	/

Troubleshooting:

Malfunctions	Possible Causes	Solutions
All LEDs don't work	1. The power supply did not connect to power grid.	Power on
	2. No electricity due to short-circuit of external power supply.	Remove the malfunction caused by short-circuit, power on again.
	3. The wires of strips connect to power supply output reversely.	Check the connecting and ensure the wires are connected correctly.
Part of LEDs don't work	1. Part of power supplies do not have output.	Check the power supply system.
	2. Part of wires of strips have malfunction.	
	3. Particular modules connected reversely.	Correct connection
Brightness of LEDs is weak or uneven	1. Overloaded power supply;	Replace it with higher power supply
	2. The power loss of power circuit is huge or the power loss of each circuit existing big difference.	Ensure working voltage of strips is within $\pm 5\%$ V of rated voltage. 1. Shorten the length of wires between the first strip and power supply or replaced with wires with bigger diameter; 2. Ensure the cascading qty of string is less than or equal to the allowed maximum cascading qty, and each strip cascading qty is well-balanced.)
	3. Exceed in qty of strips in series	Lessen the cascading qty for strip and ensure the qty for each electrical circuit is within the maximum cascading qty.
LEDs are blinking	1. Poor contacted in the joints.	Find out and tackle malfunction immediately.
	2. Failures in power supply.	Power on

**Declaration:**

- ⊙ If the external flexible cable of light box is damaged, please replace it by its manufacturer or its service agent or qualified person to avoid a hazard.
- ⊙ The specific installation and cautions please refer to the user manual.
- ⊙ The given data in this specification is based on our standard product. There may be existed slight difference compared with actual products.
- ⊙ All Illustrations in this specification are for reference only.
- ⊙ This product is subject to change or modify without prior notice.
- ⊙ RISHANG OPTOELECTRONICS CO., LTD reserves the right of final explanation for this specification.

<End>

**Rishang Optoelectronics Co., Ltd** (stock code: 002654)

Add: Block 2, Hongfa jiateli High-Tech. Park Tangtou Ave., Shiyan, Bao'an Shenzhen Guang Dong, 518108, China.

Tell: +86-755-36988588 E-mail: info@ledlamps.com.cn

Website: [www.ledlamps.com.cn](http://www.ledlamps.com.cn)

Website

WeChat Account

