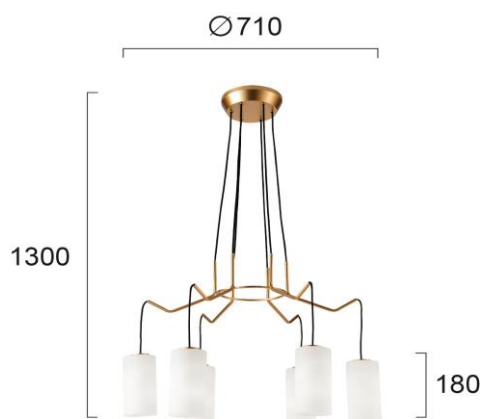




Product Datasheet

| | |
|---------------------|-------------------------|
| Code | 4232000 |
| Description | 6/Lights Pendant Elenor |
| Family | ELENOR |
| Type | PENDANT |
| Type of Lamp | E27 |
| Watt | 6 x MAX 40W |
| Volt | 220-240V |
| Hertz | 50-60 Hz |
| Class | I |
| IP | IP20 |
| Environment | INDOOR |
| Color | GOLD / WHITE / BLACK |
| Material | GLASS / PLATED STEEL |
| Length | D:710 |
| Height | H:1300 |
| Width | |



VIOKEF LIGHTING

Filiati Str, P.O Box28 Gr 19441 Koropi Greece
 T: +302106626495 E: inquiry@viokef.com W: www.viokef.com

