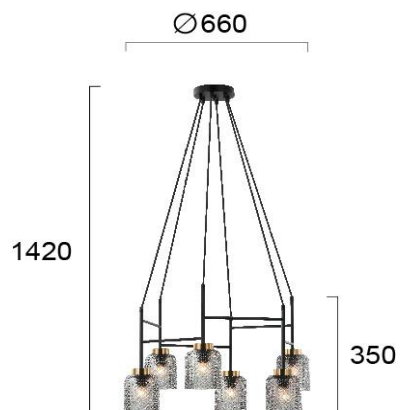


**Product Datasheet**

<b>Code</b>	4247100
<b>Description</b>	Suspended Luminaire ZAC
<b>Family Name</b>	ZAC
<b>Type</b>	PENDANT
<b>Lampholder</b>	E27
<b>Watt</b>	6 x Max 40W
<b>Voltage</b>	220-240 VAC
<b>Hertz</b>	50-60 Hz
<b>Class</b>	Class II
<b>Enviroment</b>	Indoor
<b>IP</b>	IP20

**VIOKEF LIGHTING**

Filiati Str, P.O Box28 Gr 19441 Koropi Greece  
T: +302106626495 E: inquiry@viokef.com W: www.viokef.com

