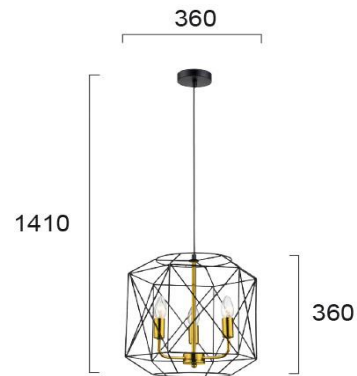




Product Datasheet

Code	4252200
Description	Pendant Light D:360 Argo
Family	ARGO
Type	PENDANT
Type of Lamp	E14
Watt	3 x MAX 40W
Volt	220-240 VAC
Hertz	50-60 Hz
Class	II
IP	IP20
Environment	Indoor
Color	BLACK / GOLD
Material	ELECTROSTATIC PAINTED / PLATED STEEL
Length	L:360
Height	H:1410
Width	



VIOKEF LIGHTING

Filiati Str, P.O Box28 Gr 19441 Koropi Greece

T: +302106626495 E: inquiry@viokef.com W: www.viokef.com

